



PIAGGIO & C.s.p.a.



SPARE PARTS CATALOGUE



750 X Polizia/PA 1A Serie 750 1992-1994

Chassis prefix: ZGULX1544

Engine prefix:

750 X

GU041



Index

Products.....	3
Part reference.....	4
FRAME.....	10
Drawing 33.01 - Suitcase kit.....	10
Drawing 33.02 - Fairing.....	11
Drawing 33.03 - Body.....	13
Drawing 33.04 - Bevel gear.....	15
Drawing 33.05 - Dashboard.....	18
Drawing 33.06 - Blue headlight - two-tone horn.....	19
Drawing 33.07 - Headlight-Horn.....	20
Drawing 33.08 - Taillight.....	21
Drawing 33.09 - Air filter.....	22
Drawing 33.10 - Front fork.....	24
Drawing 33.11 - Swing arm.....	26
Drawing 33.12 - Electrical system.....	27
Drawing 33.13 - Handlebar - Controls.....	29
Drawing 33.14 - Front mudguard.....	31
Drawing 33.15 - Rear mudguard.....	32
Drawing 33.16 - Front bumper.....	33
Drawing 33.17 - Foot rests - Lateral stand.....	34
Drawing 33.18 - Brake caliper.....	35
Drawing 33.19 - Front master cilinder.....	36
Drawing 33.20 - Rear master cylinder.....	37
Drawing 33.21 - Front wheel.....	39
Drawing 33.22 - Rear wheel.....	40
Drawing 33.23 - Front/rear shock absorber.....	41
Drawing 33.24 - Frame.....	42
Drawing 33.26 - Fuel supply.....	44
Drawing 33.34 - Exhaust unit.....	45
ENGINE.....	46
Drawing 34.25 - Drive shaft.....	46
Drawing 34.27 - Gear box.....	47
Drawing 34.28 - Carburettors.....	50
Drawing 34.29 - Crankcase.....	52
Drawing 34.30 - Timing system.....	54
Drawing 34.31 - Clutch.....	55
Drawing 34.32 - Bosch alternator.....	57
Drawing 34.33 - Saprisa alternator.....	58
Drawing 34.35 - Starter motor.....	60
Drawing 34.36 - Oil pump.....	61
Drawing 34.37 - Transmission cage.....	62
Drawing 34.38 - Cylinder head.....	64



750 X
GU041 - 750 X Polizia/PA 1A Serie 750 1992-1994

Chassis prefix: ZGULX1544
Engine prefix:

Products

Code	Validity
------	----------

no products



Code	Drawing Nr.	Pos.	Code	Drawing Nr.	Pos.	Code	Drawing Nr.	Pos.
0000000	34.28	16	GU14768650	33.05	6	GU19113460	33.09	9
0000000	34.28	23	GU14768650	33.07	4	GU19113760	33.09	7
0000000	34.28	29	GU14769200	33.05	13	GU19113960	33.09	4
0000000	34.28	33	GU14931650	34.28	32	GU19114060	33.09	1
0000000	34.28	34	GU14934650	34.28	11	GU19114360	33.26	10
0000000	34.28	39	GU17451750	33.16	8	GU19114460	33.26	13
0000000	34.28	40	GU17658260	33.14	16	GU19114680	33.26	12
0000000	34.28	9	GU17658260	33.18	17	GU19115580	33.26	5
GU00823923140	33.09	27	GU17658460	33.18	16	GU19146420	34.36	1
GU00823931070	33.05	15	GU17661052	33.20	11	GU19147721	34.36	17
GU00823931077	33.02	10	GU17704300	34.32	11	GU19147820	34.36	4
GU00823931077	33.03	39	GU17712400	34.32	1	GU19148420	34.36	5
GU00823944050	33.09	26	GU17719900	34.32	5	GU19149800	34.36	18
GU00823950050	33.20	12	GU17742550	33.06	20	GU19152200	34.36	11
GU00823956060	33.03	10	GU17750400	33.06	9	GU19157800	33.20	13
GU10054100	34.27	12	GU17750520	33.06	11	GU19201120	34.37	15
GU10054100	34.27	42	GU17750520	33.12	9	GU19202320	34.37	29
GU10214301	34.27	27	GU17751200	33.06	10	GU19203460	34.31	29
GU10214302	34.27	27	GU17756840	33.06	13	GU19207220	34.37	11
GU10214303	34.27	27	GU17937450	34.28	22	GU19208220	34.37	27
GU10214304	34.27	27	GU18144350	34.36	16	GU19210760	34.31	20
GU10214305	34.27	27	GU18161150	34.36	21	GU19211160	34.27	41
GU10528900	33.04	11	GU18720150	33.06	12	GU19211361	34.27	8
GU10528900	33.04	9	GU18759550	33.12	25	GU19211460	34.27	6
GU10528900	34.29	22	GU18941750	33.16	11	GU19211861	34.27	5
GU10528900	34.37	23	GU19001200	34.29	15	GU19212900	34.27	15
GU10934900	34.28	38	GU19002020	34.29	9	GU19213661	34.27	14
GU12087001	34.31	10	GU19002020	34.37	16	GU19213720	34.27	17
GU12154200	34.29	33	GU19003602	34.29	20	GU19213760	34.31	22
GU12154200	34.37	12	GU19003800	34.29	8	GU19214660	34.27	11
GU12433000	33.17	27	GU19007700	34.29	17	GU19214860	34.27	21
GU12434001	33.17	4	GU19015020	34.29	5	GU19215161	34.27	22
GU12937200	34.28	10	GU19016320	34.29	10	GU19215460	34.27	3
GU13021900	34.29	36	GU19017000	33.17	14	GU19218061	34.27	25
GU13432640	33.17	28	GU19018920	34.36	10	GU19218062	34.27	9
GU13933100	34.28	17	GU19021360	34.38	18	GU19231020	34.27	35
GU13934600	34.28	36	GU19021920	34.38	7	GU19231220	34.27	34
GU13934700	34.28	37	GU19023700	34.38	10	GU19234420	34.27	30
GU13936200	34.28	26	GU19025280	33.34	8	GU19234600	34.27	31
GU13936300	34.28	27	GU19025300	33.03	36	GU19235800	34.37	8
GU13936600	34.28	30	GU19025300	34.38	6	GU19237800	34.37	13
GU13936700	34.28	31	GU19025460	33.34	7	GU19256920	34.27	48
GU13937800	34.28	25	GU19027500	34.30	15	GU19258220	34.27	49
GU13937900	34.28	21	GU19030500	34.30	7	GU19327601	33.11	5
GU14086000	34.31	9	GU19032080	34.30	10	GU19327701	33.11	2
GU14086100	34.31	11	GU19032380	34.30	11	GU19328801	33.11	3
GU14090201	34.31	13	GU19032980	34.30	14	GU19350700	33.04	22
GU14090400	34.31	14	GU19032980	34.38	25	GU19351100	33.04	4
GU14217901	33.20	18	GU19034000	34.30	8	GU19351401	33.04	16
GU14217901	34.31	31	GU19036082	34.30	1	GU19351900	33.04	2
GU14217901	34.31	6	GU19036183	34.30	2	GU19352300	33.04	23
GU14217901	34.37	7	GU19037820	34.38	8	GU19352401	33.04	31
GU14423800	33.09	23	GU19045861	34.30	25	GU19353500	33.04	24
GU14516700	33.23	13	GU19054521	34.30	17	GU19354621	33.04	18
GU14517000	33.23	14	GU19055700	34.30	23	GU19355121	33.04	34
GU14547800	33.11	14	GU19058021	34.30	19	GU19355200	33.04	35
GU14577850	33.02	4	GU19058220	34.30	20	GU19355202	33.04	36
GU14609650	33.12	29	GU19060763	34.25	11	GU19355300	33.04	33
GU14609650	33.13	31	GU19061063	34.25	12	GU19355301	33.04	33
GU14609650	34.33	26	GU19062261	34.25	4	GU19355302	33.04	33
GU14615901	33.11	20	GU19065400	34.25	2	GU19355303	33.04	33
GU14615901	33.23	28	GU19067700	34.25	18	GU19355304	33.04	33
GU14615901	34.25	19	GU19067900	34.31	5	GU19355305	33.04	33
GU14634400	33.22	11	GU19083462	34.31	2	GU19355306	33.04	33
GU14712459	34.32	2	GU19111060	33.09	5	GU19355307	33.04	33
GU14717600	34.33	4	GU19111160	33.09	6	GU19355308	33.04	33
GU14747455	33.12	2	GU19112960	33.09	3	GU19355309	33.04	33



Code	Drawing Nr.	Pos.	Code	Drawing Nr.	Pos.	Code	Drawing Nr.	Pos.
GU19355320	33.04	40	GU23212070	34.27	2	GU27152885	34.29	32
GU19355321	33.04	40	GU23213870	34.37	5	GU27153085	34.36	14
GU19355322	33.04	40	GU23214071	34.27	24	GU27153460	33.09	16
GU19355323	33.04	40	GU23214571	34.27	20	GU27159360	33.09	20
GU19355324	33.04	40	GU23215270	34.27	23	GU27250815	34.27	45
GU19355325	33.04	40	GU23217800	34.30	28	GU27251015	33.20	2
GU19355326	33.04	40	GU23328081	33.11	7	GU27251015	34.27	46
GU19355327	33.04	40	GU23548080	33.11	8	GU27257715	34.27	53
GU19355328	33.04	40	GU23548180	33.11	9	GU27350410	33.04	13
GU19355329	33.04	40	GU23555280	33.23	4	GU27356910	33.22	9
GU19355360	34.27	32	GU23555281	33.23	3	GU27357411	33.04	41
GU19355400	33.04	21	GU23610370	33.21	1	GU27418215	33.24	10
GU19355402	33.04	21	GU23630370	33.22	1	GU27429515	33.17	13
GU19355404	33.04	21	GU23631170	33.22	14	GU27436875	33.14	3
GU19355406	33.04	21	GU23631470	33.22	13	GU27440210	33.17	10
GU19355408	33.04	21	GU23653011	33.18	1	GU27441110	33.17	22
GU19355410	33.04	21	GU23707100	33.06	25	GU27441310	33.17	11
GU19355411	33.04	21	GU23707100	34.33	10	GU27443210	33.17	12
GU19355412	33.04	21	GU23721493	33.12	6	GU27493170	33.10	10
GU19355413	33.04	21	GU23726300	33.12	23	GU27494070	33.10	15
GU19356320	33.04	19	GU23742500	33.06	19	GU27504915	33.23	16
GU19356700	33.04	30	GU23742890	33.06	3	GU27522570	33.10	37
GU19356760	34.31	24	GU23743392	33.06	2	GU27522670	33.10	30
GU19356801	33.04	28	GU23768310	33.05	3	GU27525415	33.10	20
GU19357660	33.04	25	GU23922210	33.02	9	GU27530501	33.10	1
GU19433000	33.09	22	GU23934870	34.28	1	GU27530503	33.10	5
GU19434000	33.17	18	GU23991570	34.37	30	GU27530504	33.10	6
GU19547000	33.11	12	GU25656100	33.18	8	GU27530505	33.10	7
GU19615235	33.21	2	GU25656100	33.19	12	GU27530506	33.10	8
GU19632501	33.22	4	GU25656100	33.20	8	GU27530509	33.10	16
GU19632502	33.22	5	GU27001136	34.29	25	GU27530510	33.10	17
GU19705900	33.24	13	GU27001636	34.29	24	GU27530511	33.10	18
GU19707100	34.33	25	GU27004985	34.29	28	GU27530520	33.10	40
GU19718000	33.18	15	GU27020820	34.38	24	GU27530521	33.10	39
GU19718000	33.20	28	GU27022060	34.38	19	GU27530522	33.10	38
GU19718000	33.26	14	GU27037521	34.30	4	GU27530523	33.10	31
GU19732500	33.12	10	GU27045420	34.30	27	GU27530530	33.10	35
GU19741336	34.33	8	GU27053463	34.30	16	GU27530531	33.10	41
GU19748000	34.33	24	GU27060860	34.25	15	GU27530532	33.23	11
GU19782520	33.24	2	GU27061285	34.25	13	GU27530575	33.10	12
GU19934480	34.28	20	GU27061385	34.25	14	GU27530576	33.10	13
GU19934600	34.28	7	GU27061585	34.25	3	GU27530577	33.10	14
GU19934960	34.28	2	GU27061885	34.25	17	GU27530578	33.10	22
GU19935080	34.28	12	GU27062060	34.25	6	GU27530579	33.10	23
GU19935580	34.28	3	GU27064185	34.25	1	GU27530580	33.10	24
GU19935750	34.28	4	GU27065660	34.25	7	GU27530581	33.10	25
GU19936000	34.28	6	GU27066460	34.25	9	GU27530582	33.10	26
GU19937180	34.28	13	GU27066560	34.25	8	GU27530583	33.10	27
GU19938580	34.28	14	GU27080160	34.31	1	GU27530584	33.10	28
GU19939980	34.28	19	GU27084460	34.31	4	GU27530585	33.10	29
GU19941095	33.16	9	GU27093015	33.13	11	GU27530586	33.10	34
GU19941495	33.16	10	GU27103415	33.03	28	GU27530587	33.10	36
GU19999580	34.29	34	GU27103515	33.03	30	GU27530591	33.10	32
GU20060220	34.25	10	GU27111271	33.09	29	GU27530592	33.10	33
GU20085720	34.31	8	GU27113985	33.09	24	GU27530593	33.20	16
GU20208520	34.29	40	GU27117515	33.13	12	GU27576016	33.02	6
GU20999520	34.27	38	GU27117615	33.13	20	GU27600315	33.13	1
GU23093300	33.20	29	GU27117775	33.13	14	GU27601015	33.13	5
GU23112674	33.26	1	GU27121915	33.34	5	GU27601215	33.13	6
GU23112675	33.26	2	GU27122915	33.34	4	GU27601815	33.13	26
GU23115070	33.26	3	GU27123415	33.34	16	GU27603016	33.13	10
GU23115071	33.26	4	GU27123915	33.34	3	GU27603400	33.13	3
GU23159670	33.09	17	GU27126615	33.34	17	GU27603516	33.13	15
GU23200370	34.37	10	GU27126915	33.34	11	GU27603715	33.13	19
GU23200472	34.31	26	GU27128115	33.34	18	GU27603815	33.13	16
GU23202074	34.27	28	GU27132815	33.13	23	GU27604415	33.13	17
GU23210570	34.27	1	GU27133515	33.13	24	GU27604515	33.13	25



Code	Drawing Nr.	Pos.	Code	Drawing Nr.	Pos.	Code	Drawing Nr.	Pos.
GU27604815	33.19	5	GU28500745	33.23	25	GU31192530	33.02	14
GU27605615	33.19	4	GU28584845	33.01	10	GU31200231	34.37	17
GU27609685	33.09	28	GU28703800	34.33	12	GU31200831	34.37	1
GU27611210	33.21	4	GU28704545	34.33	1	GU31206500	33.04	10
GU27616110	33.21	14	GU28707050	34.33	2	GU31206500	34.37	22
GU27616110	33.22	16	GU28712400	34.33	11	GU31350231	33.11	1
GU27616111	33.21	14	GU28712459	34.33	27	GU31350331	33.04	1
GU27616111	33.22	16	GU28712500	34.33	9	GU31351200	33.04	6
GU27616112	33.21	14	GU28727200	33.12	24	GU31351200	34.37	24
GU27616112	33.22	16	GU28742560	33.12	12	GU31400136	33.24	1
GU27616113	33.21	14	GU28745761	33.05	10	GU31420330	33.17	1
GU27616113	33.22	16	GU28747960	33.12	14	GU31430335	33.17	3
GU27616310	33.21	10	GU28917570	33.02	12	GU31432035	33.17	17
GU27631250	33.22	15	GU28917571	33.02	12	GU31433835	33.06	22
GU27633910	33.22	8	GU28923400	33.15	7	GU314343301	33.14	1
GU27634110	33.04	39	GU28929940	33.15	25	GU31434335	33.14	1
GU27635811	33.18	3	GU29577860	33.01	4	GU31434336	33.14	1
GU27651315	33.14	15	GU29703800	34.32	6	GU31436635	33.14	2
GU27652350	33.19	13	GU29722270	34.33	19	GU31436636	33.14	2
GU27654650	33.19	14	GU30157430	33.09	21	GU31436835	33.14	3
GU27657110	33.18	6	GU30530510	34.35	3	GU31437030	33.15	1
GU27658215	33.23	18	GU30530511	34.35	4	GU31438730	33.15	2
GU27658415	33.23	17	GU30530512	34.35	9	GU31439235	33.24	17
GU27658575	33.19	10	GU305929301	33.13	28	GU31439335	33.24	16
GU27659050	33.19	17	GU305930301	33.13	29	GU31450335	33.16	1
GU27659150	33.19	18	GU30602500	33.13	7	GU31450435	33.16	2
GU27659415	33.13	27	GU30605530	33.13	2	GU31460536	33.03	22
GU27659515	33.20	14	GU30607910	33.13	13	GU31460935	33.15	5
GU27660115	33.19	1	GU30717410	34.33	28	GU31463635	33.24	15
GU27661115	33.19	3	GU30730711	34.35	1	GU31463935	33.01	2
GU27663615	33.19	20	GU30743000	33.12	11	GU31464330	33.24	26
GU27663815	33.13	8	GU30999530	33.13	21	GU314664301	33.15	4
GU27664075	33.19	6	GU30999530	33.13	21	GU31466435	33.15	4
GU27667015	33.20	6	GU30999530	33.13	22	GU31466436	33.15	4
GU27667515	33.20	3	GU30999530	33.13	22	GU31472635	33.01	1
GU27668015	33.20	7	GU31000331	34.29	1	GU31476235	33.03	19
GU27675015	33.20	5	GU31001431	34.29	14	GU314762351	33.03	19
GU27677015	33.20	1	GU31003431	34.29	26	GU31476236	33.03	19
GU27704815	34.33	3	GU31003531	34.29	19	GU31476237	33.03	19
GU27710435	33.12	8	GU31003766	33.04	8	GU31476238	33.03	19
GU27721063	34.33	21	GU31003766	34.29	21	GU31476335	33.03	21
GU27723835	33.12	7	GU31003766	34.37	26	GU314763351	33.03	21
GU27725810	33.12	4	GU31016050	34.36	20	GU31476336	33.03	21
GU27725820	33.12	4	GU31021900	34.38	12	GU31476337	33.03	21
GU27738015	33.13	9	GU31022131	34.38	1	GU31476338	33.03	21
GU27740515	33.07	1	GU31022231	34.38	2	GU31479430	33.24	21
GU27743715	33.07	14	GU31023531	34.38	9	GU31479630	33.24	20
GU27749815	33.19	7	GU31037015	34.30	13	GU31483935	33.01	7
GU27760410	33.05	12	GU31038015	34.30	5	GU31485635	33.01	8
GU27761515	33.05	2	GU31045015	34.30	26	GU31485735	33.01	5
GU27767275	33.05	4	GU31060131	34.38	17	GU31485736	33.01	5
GU27768185	33.05	11	GU31060616	34.25	16	GU31485737	33.01	5
GU27900015	33.15	24	GU311002301	33.03	1	GU31485738	33.01	5
GU27933720	34.28	18	GU31100235	33.03	1	GU31486035	33.01	9
GU27934315	34.28	8	GU31100236	33.03	1	GU31489935	33.01	6
GU27935960	34.28	5	GU31100237	33.03	1	GU31490236	33.23	1
GU27999060	34.29	35	GU31100238	33.03	1	GU31501635	33.05	1
GU27999416	33.13	10	GU31101930	33.03	15	GU31501730	33.05	16
GU28004950	34.29	30	GU31105330	33.03	4	GU31502335	33.23	24
GU28103260	33.03	34	GU31105830	33.03	5	GU31526636	33.10	21
GU28113650	33.09	2	GU31106630	33.03	11	GU31540231	33.11	11
GU28238261	34.29	39	GU31110715	33.09	8	GU31544160	33.11	23
GU28252060	33.17	24	GU31110815	33.09	10	GU31575335	33.02	1
GU28258160	34.27	52	GU31114165	33.09	11	GU315753351	33.02	1
GU28461300	33.03	23	GU31120730	33.34	1	GU31575336	33.02	1
GU28461345	33.03	27	GU31120731	33.34	2	GU31577235	33.02	2
GU28462645	33.23	26	GU31158250	34.36	15	GU31578535	33.02	13



Code	Drawing Nr.	Pos.	Code	Drawing Nr.	Pos.	Code	Drawing Nr.	Pos.
GU315785351	33.02	13	GU39474600	33.15	3	GU90403245	34.31	19
GU31578536	33.02	13	GU39611601	33.21	13	GU90403247	33.04	38
GU31578636	33.02	11	GU39741150	33.12	15	GU90403547	33.04	3
GU31583935	33.14	19	GU39762501	33.05	14	GU90405367	34.29	13
GU31584435	33.14	9	GU39937600	34.28	24	GU90407590	33.04	15
GU31584436	33.14	9	GU43934000	34.28	35	GU90706035	33.02	5
GU31584530	33.14	8	GU50740600	33.03	20	GU90706076	33.04	42
GU31584535	33.14	8	GU51105401	33.03	12	GU90706111	34.36	22
GU31584630	33.14	14	GU51105600	33.03	14	GU90706140	34.37	4
GU31592935	33.13	28	GU51105900	33.03	13	GU90706170	34.31	12
GU31593035	33.13	29	GU55234700	34.37	20	GU90706188	33.04	29
GU31613335	33.21	5	GU61013800	33.02	27	GU90706188	34.27	18
GU31613335	33.22	2	GU61013800	33.03	7	GU90706203	33.04	7
GU31614130	33.21	9	GU61013800	33.08	12	GU90706203	34.37	25
GU31633330	33.22	10	GU61013800	33.14	17	GU90706235	34.31	23
GU31634130	33.18	5	GU61013800	33.16	13	GU90706282	34.29	29
GU31634230	33.18	4	GU61013800	33.26	9	GU90706444	34.29	27
GU31654660	33.18	2	GU61013800	33.34	10	GU90706552	33.04	37
GU31658330	33.23	23	GU61025100	33.34	6	GU91180627	34.32	15
GU31659160	33.18	12	GU61027200	34.38	23	GU91180721	33.16	14
GU31659260	33.18	13	GU61036801	34.38	3	GU91180721	34.33	7
GU31659260	33.19	19	GU61038100	34.30	6	GU91180802	33.16	7
GU31667635	33.20	4	GU61054900	34.30	18	GU91180802	33.23	20
GU31716560	34.33	5	GU61108400	33.03	8	GU91180817	33.17	21
GU31717060	34.33	29	GU61108400	33.09	19	GU91180921	33.01	15
GU31722130	33.12	5	GU61108500	33.03	9	GU91181114	33.17	6
GU31726135	33.06	18	GU61108500	33.09	25	GU91181114	33.20	15
GU31728030	33.02	8	GU61238200	34.27	39	GU91181407	33.23	5
GU31732535	33.06	17	GU61270300	33.04	26	GU91182010	34.27	40
GU31735330	34.33	16	GU61270300	33.18	10	GU91551062	33.08	13
GU31735630	34.33	15	GU61270300	34.29	6	GU91551131	33.15	6
GU31743335	33.06	1	GU61270300	34.31	35	GU92201070	33.04	14
GU31743535	33.06	4	GU61270300	34.38	21	GU92201120	34.37	28
GU31743635	33.06	5	GU61609630	33.12	29	GU92201220	34.27	16
GU31743735	33.06	14	GU61704200	34.32	12	GU92201225	34.31	28
GU31744035	33.06	23	GU65663500	33.20	10	GU92204215	34.37	2
GU31745735	33.05	21	GU65758970	33.05	8	GU92204217	33.21	3
GU31745735	33.06	21	GU65933600	34.28	15	GU92204217	33.22	7
GU31746035	33.06	16	GU65933700	34.28	28	GU92204218	33.22	6
GU31746036	33.06	15	GU66103415	33.24	3	GU92218417	34.27	10
GU31747130	33.12	1	GU66103915	33.03	2	GU92230320	34.27	13
GU31747230	33.12	3	GU66109715	33.03	3	GU92234716	34.27	26
GU31747330	33.12	13	GU66478610	33.02	16	GU92249220	33.04	32
GU31750630	33.07	5	GU66478610	33.03	33	GU92249223	33.04	20
GU31750630	33.07	8	GU66478610	33.14	12	GU92249225	33.23	12
GU31750630	33.08	4	GU66478610	33.15	14	GU92251023	34.27	7
GU31750630	33.08	9	GU66500510	33.10	4	GU92252210	34.36	3
GU31753230	33.07	9	GU66530501	33.10	3	GU92252235	33.04	5
GU31753730	33.07	6	GU66530504	33.10	9	GU92295708	33.19	8
GU31753730	33.08	6	GU66530505	33.10	11	GU92296726	34.36	7
GU31757735	33.06	8	GU66740915	33.08	1	GU92297909	34.27	36
GU31759230	33.12	22	GU66768510	33.05	9	GU92601206	33.20	21
GU31766930	33.05	5	GU90271018	34.30	12	GU92601206	33.20	25
GU31917330	33.03	37	GU90271020	34.27	33	GU92601206	33.34	20
GU31917535	33.05	22	GU90271117	34.27	29	GU92601208	34.29	7
GU31922530	33.05	19	GU90271121	34.27	19	GU92601210	33.17	16
GU31923930	33.05	18	GU90271127	34.27	4	GU92601210	33.24	7
GU31926030	33.05	17	GU90272023	33.11	4	GU92602204	33.15	11
GU31934460	34.28	20	GU90272075	34.31	3	GU92602205	34.32	16
GU31991030	34.29	39	GU90280005	33.24	25	GU92602206	33.01	21
GU31999236	33.23	2	GU90353009	34.38	4	GU92602206	33.02	21
GU31999581	34.36	8	GU90353029	34.30	24	GU92602206	33.07	17
GU35214300	33.11	13	GU90353030	33.04	17	GU92602206	34.27	54
GU35755780	33.05	20	GU90400616	34.31	21	GU92602208	33.01	13
GU39103400	33.24	35	GU90401530	34.29	11	GU92602208	33.03	35
GU39103500	33.24	33	GU90402840	34.29	18	GU92602208	34.31	25
GU39238100	34.27	43	GU90402841	34.37	3	GU92602208	34.35	12

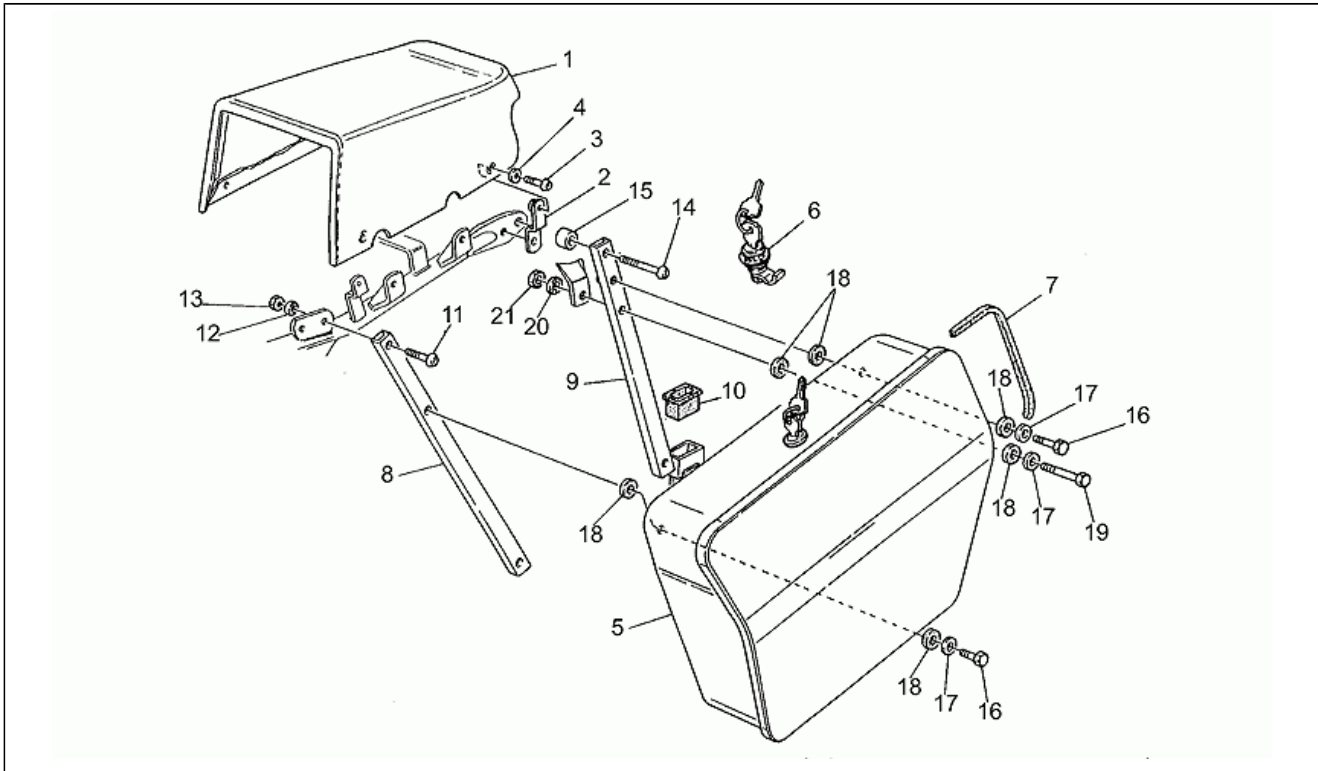


Code	Drawing Nr.	Pos.	Code	Drawing Nr.	Pos.	Code	Drawing Nr.	Pos.
GU92602210	33.11	18	GU95000206	33.02	24	GU95120105	33.16	4
GU92602316	33.21	12	GU95000206	33.06	27	GU95120105	33.24	6
GU92602316	33.22	12	GU95000206	33.12	27	GU95129080	33.15	10
GU92602406	34.30	9	GU95000206	33.14	5	GU95129100	34.32	9
GU92602411	33.07	12	GU95000206	33.15	17	GU95129115	34.30	22
GU92602411	33.08	8	GU95000206	33.18	19	GU95129180	33.19	16
GU92602411	33.23	10	GU95000206	33.20	23	GU95129180	34.29	38
GU92602508	34.31	15	GU95000206	33.34	13	GU95129180	34.38	13
GU92602510	34.36	19	GU95000206	34.27	55	GU95129260	33.20	19
GU92602512	34.37	14	GU95000206	34.32	17	GU95129260	34.27	47
GU92603010	34.38	11	GU95000206	34.33	13	GU95187006	34.36	13
GU92608202	33.19	22	GU95000208	33.02	19	GU95401218	33.24	24
GU92630104	33.13	32	GU95000208	33.24	12	GU95500222	33.11	25
GU92630105	33.06	7	GU95000208	33.24	27	GU95500222	34.31	18
GU92630105	33.09	15	GU95000210	33.17	8	GU95520316	34.27	37
GU92630106	33.06	28	GU95004206	34.36	23	GU95780271	34.31	17
GU92630106	33.07	18	GU95004208	33.16	6	GU95990027	33.20	9
GU92630106	33.13	34	GU95004208	33.21	7	GU95990028	33.18	7
GU92630106	33.14	7	GU95004208	33.24	30	GU95990028	33.19	11
GU92630106	33.15	16	GU95004208	34.35	11	GU96451430	34.29	3
GU92630106	33.24	34	GU95004210	33.11	17	GU96451560	34.29	2
GU92630106	34.27	44	GU95004217	33.21	11	GU96506042	34.38	5
GU92630106	34.32	7	GU95007208	33.11	22	GU96508055	33.04	12
GU92630108	33.15	22	GU95007208	33.23	8	GU96508055	34.29	4
GU92630108	33.17	23	GU95007210	33.07	10	GU96508145	34.38	20
GU92630108	33.18	14	GU95007210	33.17	15	GU96510158	34.38	15
GU92630108	33.21	8	GU95007210	33.23	6	GU96510214	34.38	14
GU92630108	33.24	28	GU95007210	33.24	9	GU98052245	34.32	13
GU92630110	33.17	26	GU95021105	33.03	17	GU98052350	33.14	4
GU92630110	33.17	9	GU95021105	33.09	13	GU98052470	33.21	6
GU92630205	33.12	20	GU95021105	34.32	4	GU98054212	33.12	21
GU92630206	33.14	20	GU95021105	34.33	22	GU98054214	33.09	12
GU92630508	33.24	29	GU95021106	33.01	20	GU98054214	33.20	26
GU92660601	33.02	17	GU95021106	33.02	23	GU98054216	33.03	16
GU92660801	33.03	29	GU95021106	33.03	26	GU98054220	33.12	17
GU92680060	33.02	28	GU95021106	33.07	16	GU98054314	33.12	26
GU92700071	33.12	16	GU95021106	33.12	28	GU98054314	34.31	30
GU92781082	33.11	19	GU95021106	33.20	24	GU98054314	34.36	12
GU92781082	33.34	9	GU95021106	33.34	14	GU98054316	33.03	24
GU93110060	33.01	18	GU95021106	34.27	51	GU98054316	33.06	26
GU93110060	33.02	7	GU95021108	33.01	12	GU98054316	34.31	7
GU93110060	33.14	13	GU95021108	33.02	20	GU98054316	34.32	8
GU93110060	33.15	12	GU95021110	33.07	11	GU98054316	34.33	14
GU93180105	33.11	21	GU95021110	33.08	7	GU98054320	33.01	16
GU93180220	34.31	27	GU95021110	33.23	22	GU98054320	33.08	10
GU93180245	34.38	22	GU95021110	33.24	36	GU98054320	33.15	19
GU93301315	33.06	24	GU95100059	33.12	18	GU98054322	33.07	15
GU93305018	33.09	18	GU95100059	33.20	27	GU98054330	33.15	18
GU93305032	33.26	11	GU95100116	33.26	7	GU98054335	33.01	19
GU93305074	33.11	10	GU95100118	33.08	11	GU98054416	33.24	11
GU93450105	33.07	3	GU95100118	34.32	10	GU98054535	33.17	5
GU93450120	33.05	7	GU95100119	33.02	18	GU98072325	34.27	50
GU93450127	33.07	7	GU95100121	33.07	13	GU98072330	33.20	22
GU93450127	33.08	5	GU95100121	33.14	6	GU98072555	33.24	14
GU93450224	33.08	3	GU95100139	33.03	25	GU98072565	33.17	19
GU93450231	33.07	2	GU95100141	33.01	17	GU98074316	33.34	19
GU94321067	34.37	21	GU95100141	33.07	19	GU98074320	33.20	20
GU94321099	33.11	6	GU95100141	33.15	15	GU98074320	33.34	12
GU94321105	34.31	16	GU95100141	34.32	14	GU98110202	33.24	8
GU94322215	33.17	7	GU95100235	33.15	21	GU98200214	33.19	9
GU95000204	33.13	33	GU95100250	33.18	11	GU98200410	33.15	8
GU95000204	33.15	9	GU95100250	33.19	21	GU98230612	33.18	18
GU95000204	33.24	31	GU95100251	33.18	11	GU98230616	33.14	10
GU95000205	33.03	18	GU95100251	33.19	21	GU98230616	33.24	32
GU95000205	33.09	14	GU95100256	33.23	15	GU98230618	33.02	26
GU95000205	33.12	19	GU95100523	33.11	24	GU98230622	33.01	3
GU95000205	34.33	18	GU95100709	34.29	31	GU98230622	33.14	11



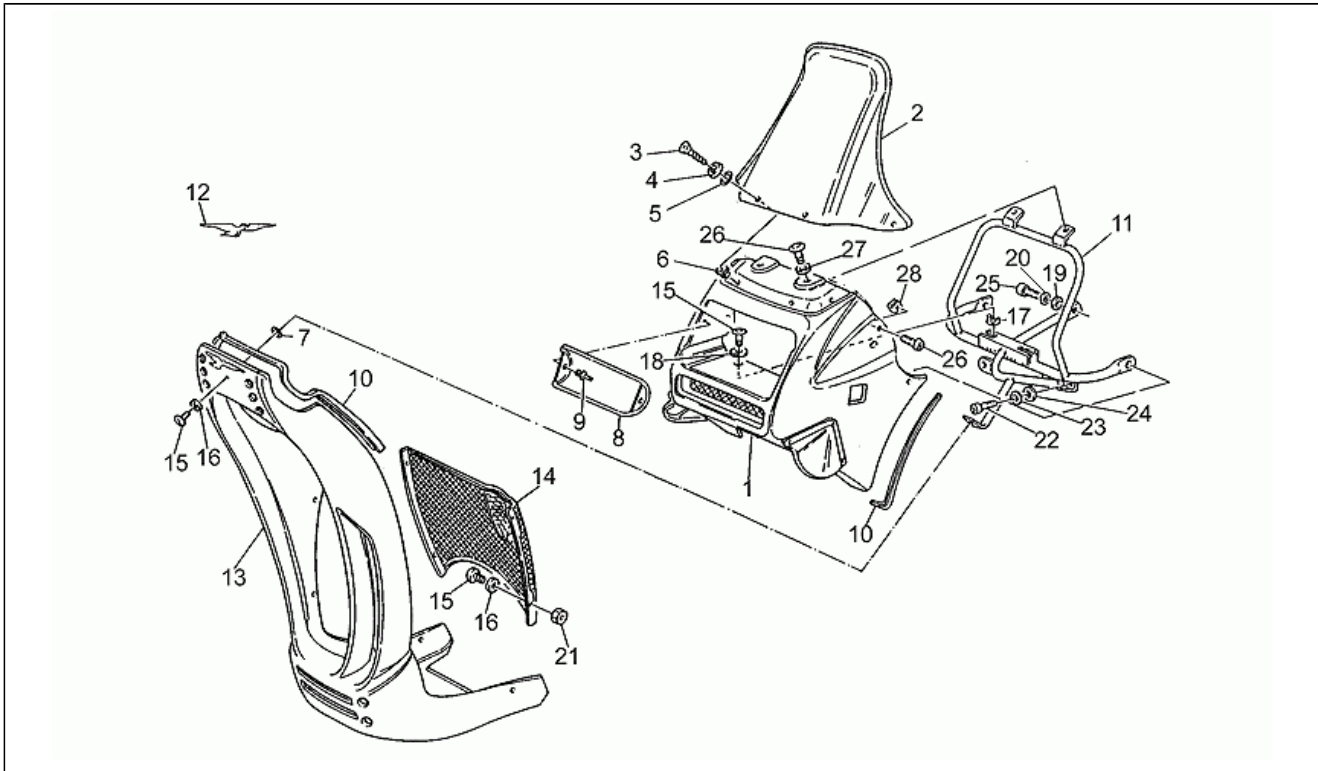
Code	Drawing Nr.	Pos.
GU98230822	33.16	5
GU98230822	33.23	27
GU98230825	33.22	3
GU98230830	33.01	11
GU98230840	33.01	14
GU98231030	33.19	15
GU98290512	34.33	17
GU98290520	33.06	6
GU98290608	33.34	15
GU98310611	33.26	6
GU98326014	33.02	15
GU98326014	33.03	32
GU98326016	33.15	13
GU98610325	34.29	16
GU98610325	34.38	16
GU98610330	33.16	15
GU98610330	34.29	37
GU98610330	34.31	32
GU98610330	34.37	18
GU98610335	34.29	23
GU98610435	34.31	33
GU98610435	34.37	19
GU98610450	34.31	34
GU98610550	33.16	3
GU98612312	33.14	18
GU98612425	33.18	9
GU98612525	33.24	5
GU98620125	33.24	23
GU98620240	34.33	6
GU98620245	34.32	3
GU98620250	34.33	23
GU98620330	33.07	20
GU98620335	33.10	19
GU98620335	33.23	19
GU98620335	34.36	9
GU98620345	33.20	17
GU98620350	33.16	12
GU98620435	33.24	18
GU98620435	34.35	10
GU98620440	33.23	21
GU98620450	33.24	19
GU98622312	33.02	22
GU98622314	34.37	6
GU98622314	34.37	9
GU98622316	33.03	6
GU98622318	34.33	20
GU98622420	33.24	4
GU98622430	33.03	31
GU98812325	33.26	8
GU98812416	33.23	9
GU98820435	33.15	20
GU98820445	33.17	20
GU98820545	33.11	16
GU98822316	34.30	21
GU98822420	33.02	25
GU98832420	33.23	7
GU99105117	33.17	2
GU99105118	33.17	25
GU99200413	33.09	30
GU99210316	33.02	3

Assembly	FRAME
Code	33.01
Description	Suitcase kit
Revision	1



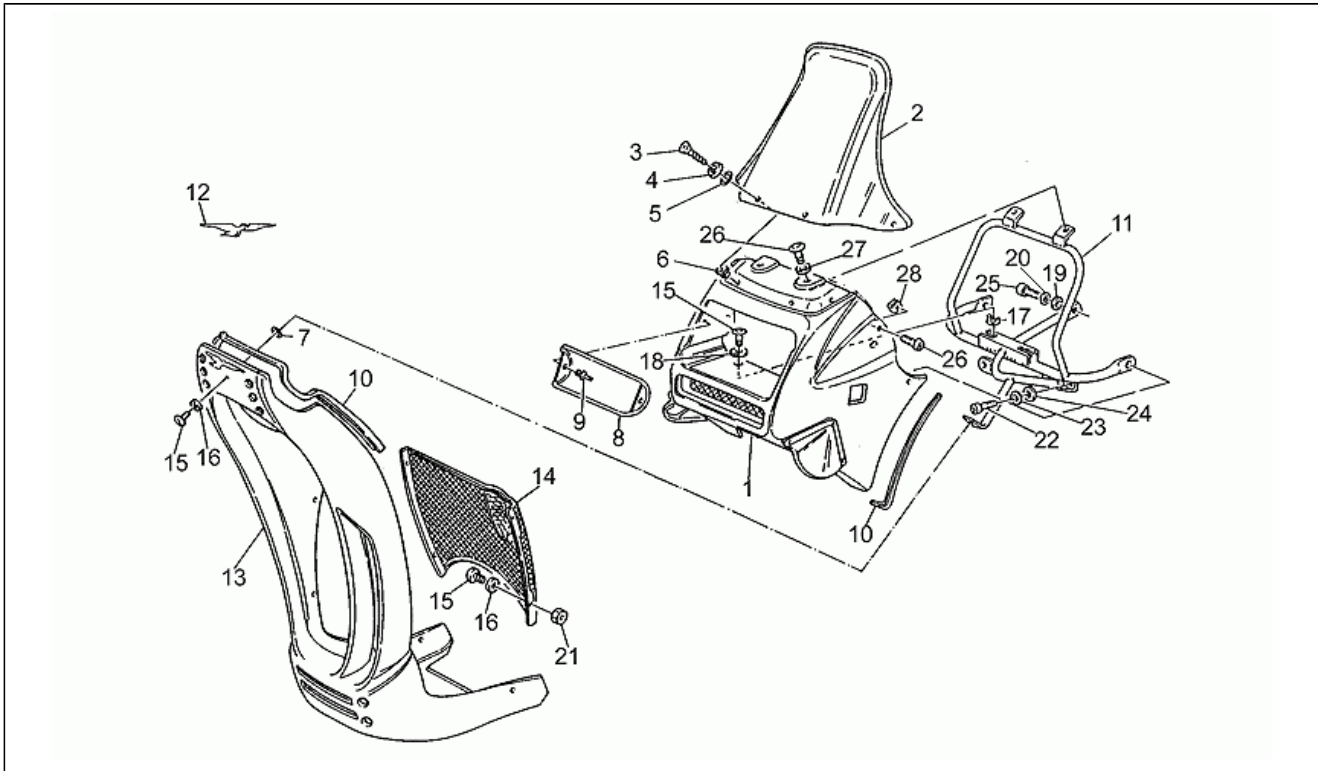
Pos.	Code	Description	Q.ty	Variants
1	GU31472635	Radio cover, blank	1	
2	GU31463935	Clamp	2	
3	GU98230622	Screw	4	
4	GU29577860	Washer	4	
5	GU31485735	Side case assy.,sky blue/white	1	Color:Police Cyan[a.p]
5	GU31485736	Side case assy., white	1	Color:White[w.]
5	GU31485737	Side case assy.,wh./blue band	1	Color:White[w.]
5	GU31485738	Side case assy.,wh/black band	1	Color:White[w.]
6	GU31489935	Lock	1	
7	GU31483935	Gasket	1	
8	GU31485635	Front bracket	1	
9	GU31486035	Rear bracket	1	
10	GU28584845	Rubber spacer	1	
11	GU98230830	Screw	1	
12	GU95021108	Spring washer	2	
13	GU92602208	Nut M8X1,25	2	
14	GU98230840	Screw	1	
15	GU91180921	Spacer	1	
16	GU98054320	Hex screw M6X20	4	
17	GU95100141	Washer 6,4x12x1,2	5	
18	GU93110060	Rubber spacer	10	
19	GU98054335	Screw	1	
20	GU95021106	Notched washer	1	
21	GU92602206	Nut	1	

Assembly	FRAME
Code	33.02
Description	Fairing
Revision	1



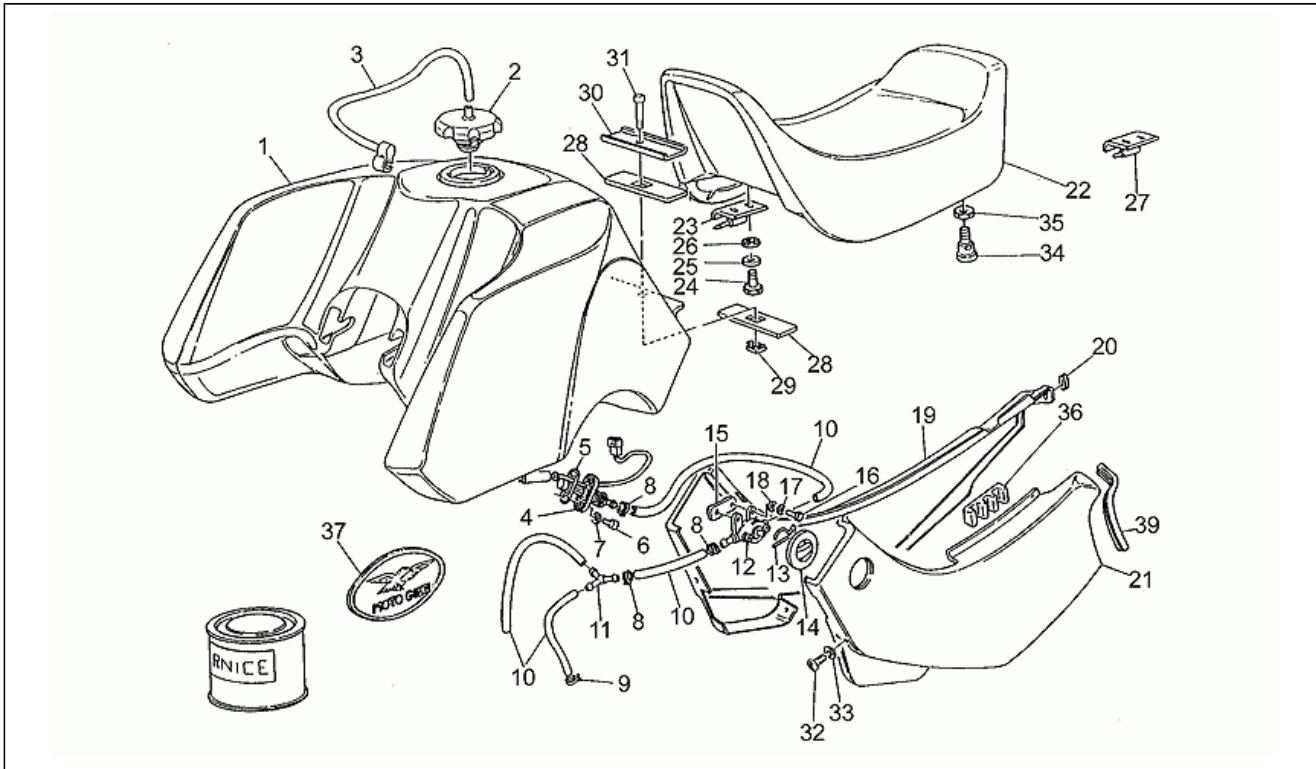
Pos.	Code	Description	Q.ty	Variants
1	GU31575335	Windshield	1	Color:Police Cyan[a.p]
1	GU315753351	Headlight windshield blank	1	Color:Blank[gr]
1	GU31575336	Windshield	1	Color:White[w.]
2	GU31577235	Windscreen	1	
3	GU99210316	Screw	4	
4	GU14577850	Washer	4	
5	GU90706035	O-ring	4	
6	GU27576016	Threaded insert	4	
7	GU93110060	Rubber spacer	3	
8	GU31728030	Grid	1	
9	GU23922210	Pin	2	
10	GU00823931077	Gasket	1	
11	GU31578636	Windshield support	1	
12	GU28917570	"Aquila" decal, white	1	
12	GU28917571	"Aquila" decal, gold	1	
13	GU31578535	Pillar	1	Color:Police Cyan[a.p]
13	GU315785351	Pillar	1	Color:Blank[gr]
13	GU31578536	Pillar	1	Color:White[w.]
14	GU31192530	Grid	1	
15	GU98326014	Screw	13	
16	GU66478610	Nylon washer 6X17X1	9	
17	GU92660601	Captive nut	2	
18	GU95100119	Washer 6,25X11X1	2	
19	GU95000208	Washer	2	
20	GU95021108	Spring washer	2	
21	GU92602206	Nut	4	
22	GU98622312	Screw	2	
23	GU95021106	Notched washer	2	

Assembly	FRAME
Code	33.02
Description	Fairing
Revision	1



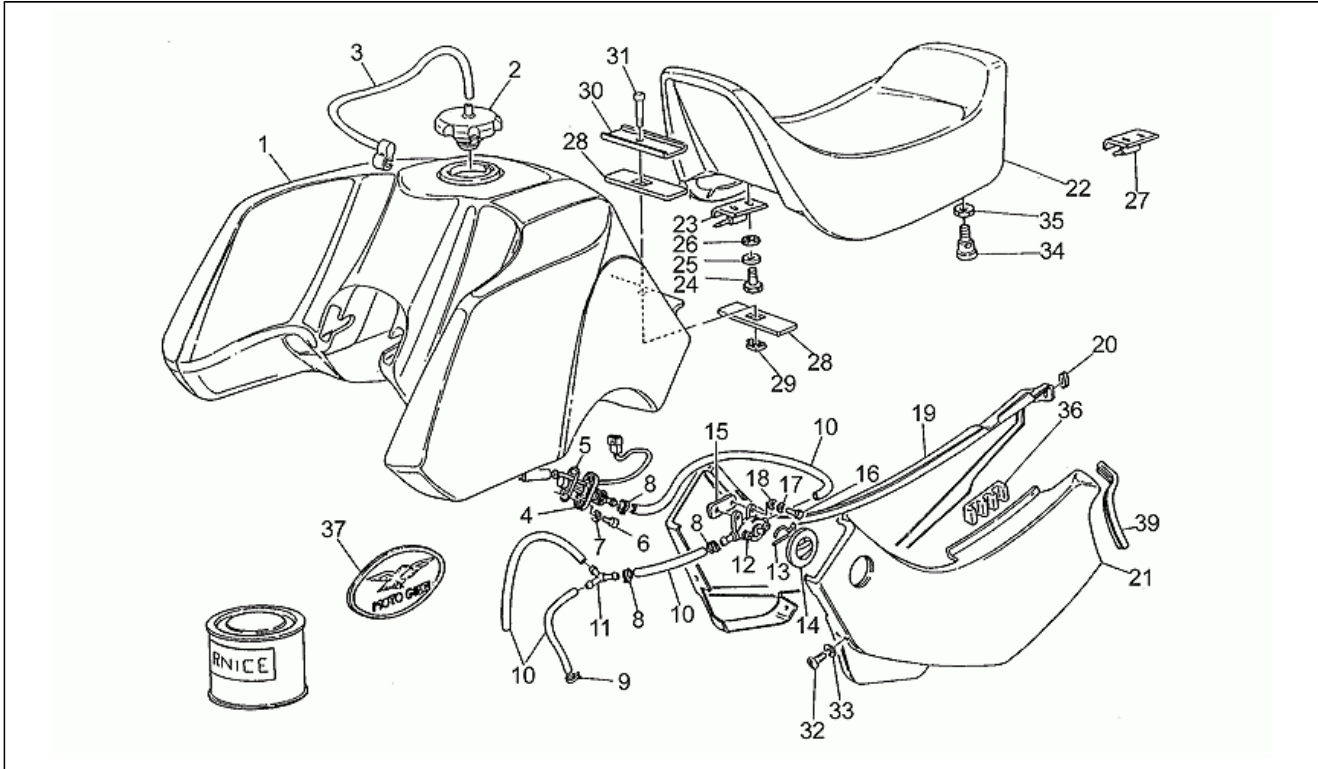
Pos.	Code	Description	Q.ty	Variants
24	GU95000206	Washer	2	
25	GU98822420	Screw	2	
26	GU98230618	Screw	6	
27	GU61013800	Special washer	6	
28	GU92680060	Clip	4	

Assembly	FRAME
Code	33.03
Description	Body
Revision	1



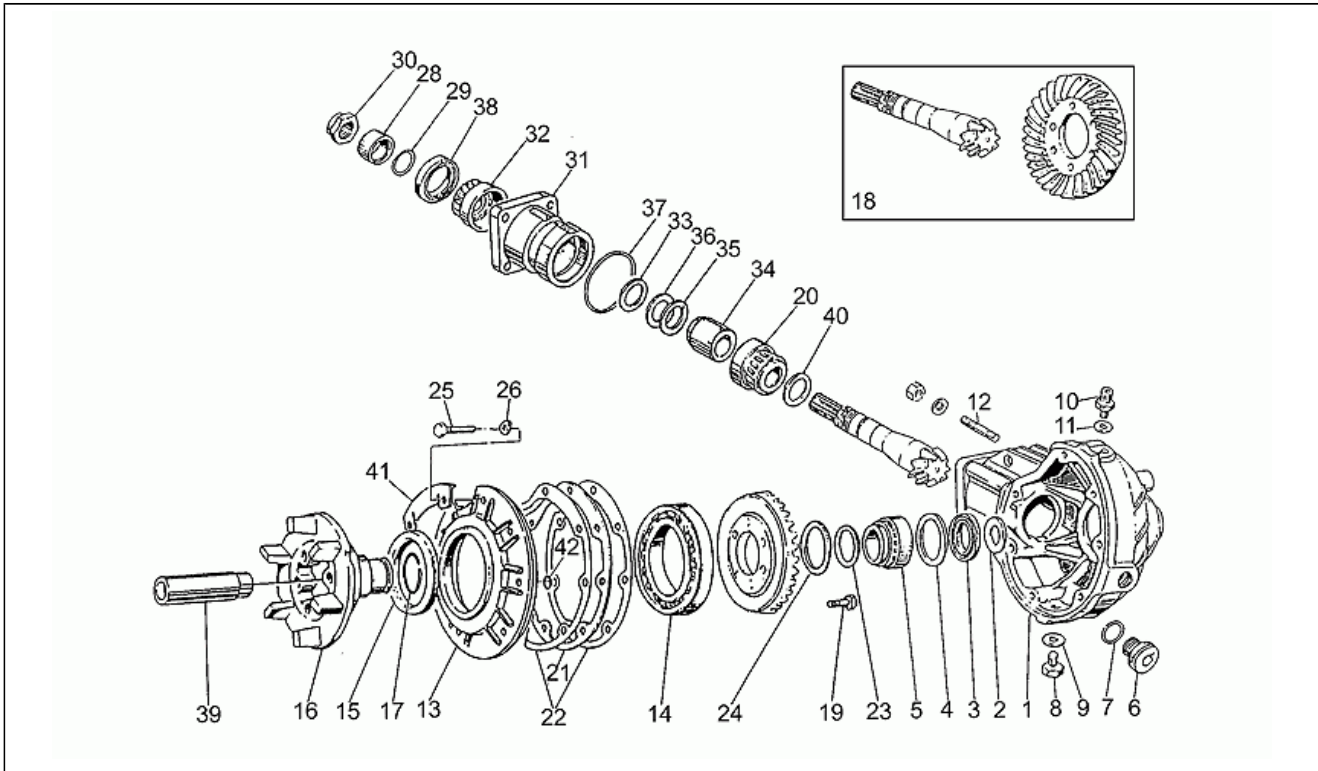
Pos.	Code	Description	Q.ty	Variants
1	GU311002301	Fuel tank blank	1	Color:Blank[gr]
1	GU31100235	Fuel tank, sky blue/white	1	Color:Police Cyan[a.p]
1	GU31100236	Fuel tank white	1	Color:White[w.]
1	GU31100237	Fuel tank, white/Rome blue	1	Color:Blue band[fb.], White[w.]
1	GU31100238	Fuel tank, white/black	1	Color:White band[fn.], White[w.]
2	GU66103915	Fuel filler cap	1	
3	GU66109715	Breather pipe	1	
4	GU31105330	Fuel cock	1	
5	GU31105830	Gasket	1	
6	GU98622316	Hex socket screw M6X16	2	
7	GU61013800	Special washer	2	
8	GU61108400	Hose clamp	6	
9	GU61108500	Hose clamp D9	2	
10	GU00823956060	Pipe SAEJ30R76X121/4"	1	
11	GU31106630	3-way union	1	
12	GU51105401	Fuel cock	1	
13	GU51105900	Spring	1	
14	GU51105600	Cock control	1	
15	GU31101930	Plate	1	
16	GU98054216	Screw	2	
17	GU95021105	Notched washer	2	
18	GU95000205	Washer	2	
19	GU31476235	RH side panel, sky blue/white	1	Color:Police Cyan[a.p]
19	GU314762351	RH body panel blank	1	Color:Blank[gr]
19	GU31476236	RH side panel, white	1	Color:White[w.]
19	GU31476237	RH side panel, white/Rome blue	1	Color:Blue band[fb.], White[w.]
19	GU31476238	RH side panel, white/black	1	Color:White band[fn.], White[w.]
20	GU50740600	Rubber spacer	1	

Assembly	FRAME
Code	33.03
Description	Body
Revision	1



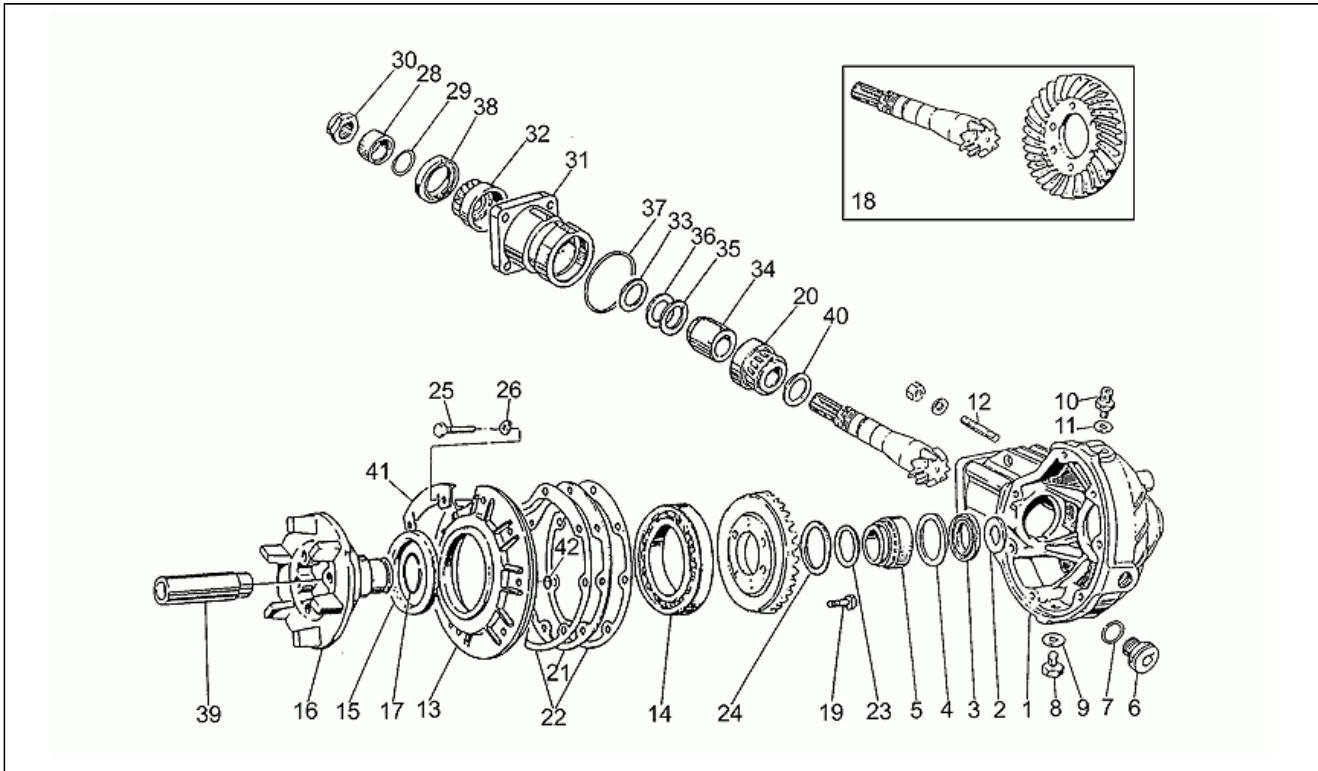
Pos.	Code	Description	Q.ty	Variants
21	GU31476335	LH side panel, sky blue/white	1	Color:Police Cyan[a.p]
21	GU314763351	LH body panel blank	1	Color:Blank[gr]
21	GU31476336	LH side panel, white	1	Color:White[w.]
21	GU31476337	LH side panel, white/Rome blue	1	Color:Blue band[fb.], White[w.]
21	GU31476338	LH side panel, white/black	1	Color:White band[fn.], White[w.]
22	GU31460536	Single-seater saddle	1	
23	GU28461300	Front saddle hinge	1	
24	GU98054316	Hex screw M6X16	4	
25	GU95100139	Washer 6,5X17X1,5	4	
26	GU95021106	Notched washer	4	
27	GU28461345	Rear saddle hinge	1	
28	GU27103415	Rubber spacer	2	
29	GU92660801	Captive nut	1	
30	GU27103515	Plate	1	
31	GU98622430	Screw M8X30	1	
32	GU98326014	Screw	4	
33	GU66478610	Nylon washer 6X17X1	4	
34	GU28103260	Stud bolt	1	
35	GU92602208	Nut M8X1,25	1	
36	GU19025300	Anti-vibration plate	2	
37	GU31917330	"MotoGuzzi" dec.	2	
39	GU00823931077	Gasket	1	

Assembly	FRAME
Code	33.04
Description	Bevel gear
Revision	1



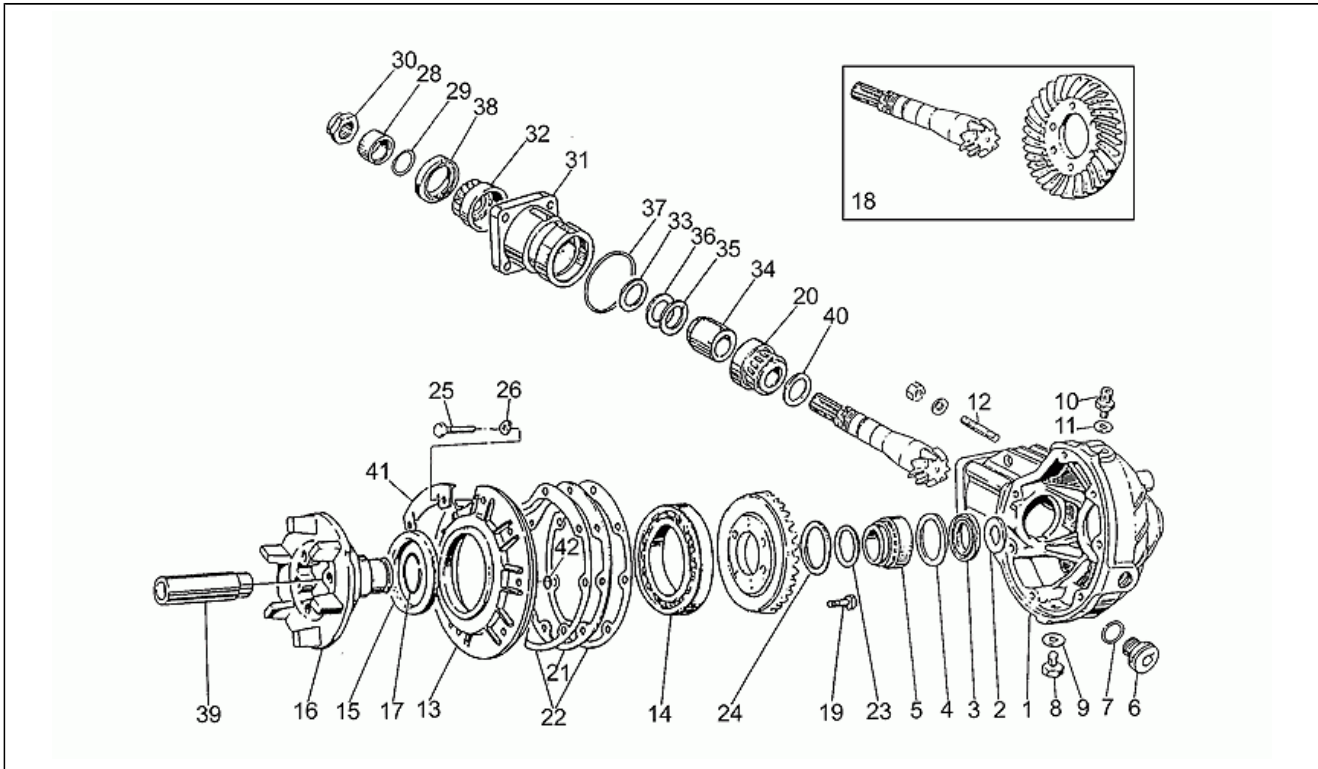
Pos.	Code	Description	Q.ty	Variants
1	GU31350331	Transmission cover	1	
2	GU19351900	Clearance washer	1	
3	GU90403547	Gasket ring 35x47x7	1	
4	GU19351100	Clearance washer	1	
5	GU92252235	Roller bearing 35x50x17	1	
6	GU31351200	Oil filler plug	1	
7	GU90706203	O-ring 20,24x2,62	1	
8	GU31003766	Oil unload plug M10X1	1	
9	GU10528900	Gasket	1	
10	GU31206500	Breather plug	1	
11	GU10528900	Gasket	1	
12	GU96508055	Stud bolt	4	
13	GU27350410	Cover	1	
14	GU92201070	Ball bearing 70x110x13	1	
15	GU90407590	Gasket ring 75x90x8	1	
16	GU19351401	Pin	1	
17	GU90353030	Stop ring	1	
18	GU19354621	Bevel gear Z=8/31	1	
19	GU19356320	Screw	6	
20	GU92249223	Tap.roller bearing	1	
21	GU19355400	Spacer 0,8 mm	1	
21	GU19355402	Spacer 0,9 mm	1	
21	GU19355404	Spacer 1 mm	1	
21	GU19355406	Spacer 1,1 mm	1	
21	GU19355408	Spacer 1,2 mm	1	
21	GU19355410	Spacer 1,3 mm	1	
21	GU19355411	Spacer 1,4 mm	1	
21	GU19355412	Spacer 1,5 mm	1	

Assembly	FRAME
Code	33.04
Description	Bevel gear
Revision	1



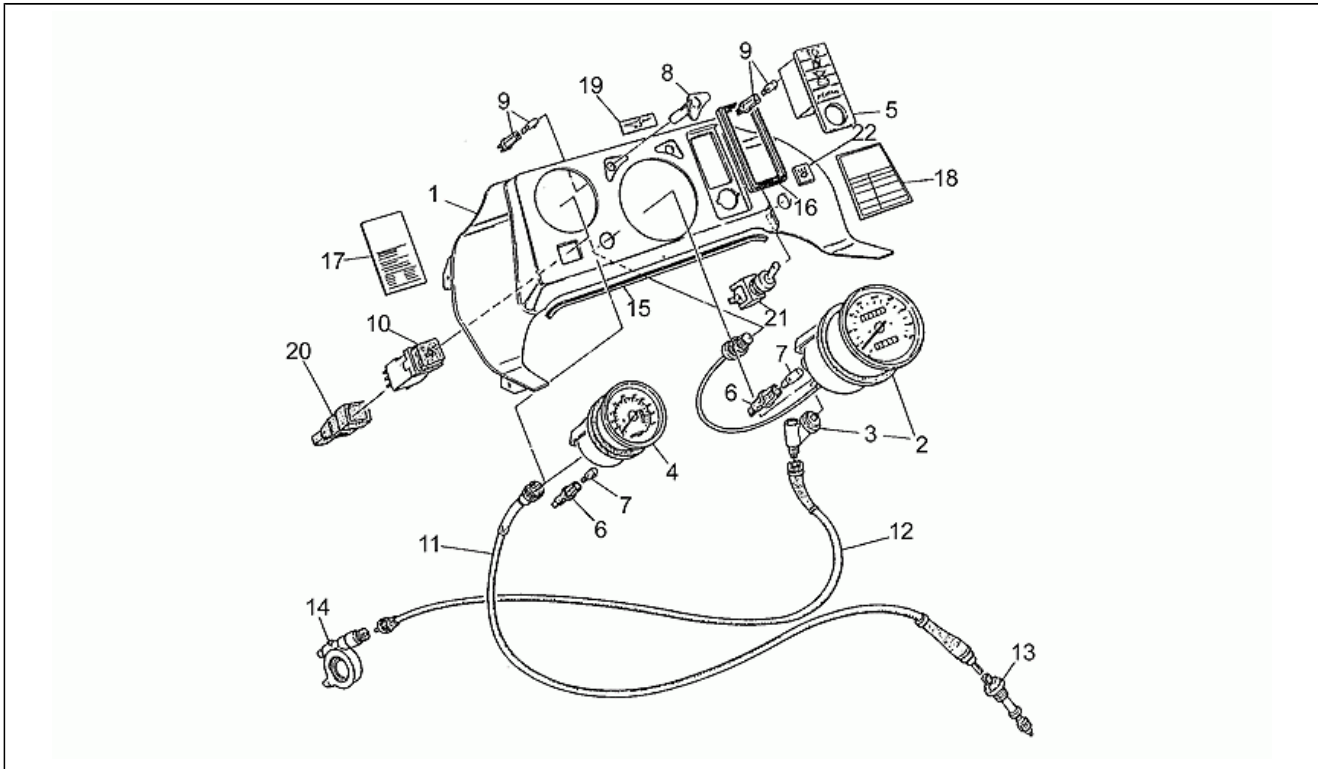
Pos.	Code	Description	Q.ty	Variants
21	GU19355413	Spacer 1,6 mm	1	
22	GU19350700	Gasket	2	
23	GU19352300	Thrust washer	1	
24	GU19353500	Thrust washer	1	
25	GU19357660	Screw M8X25	7	
26	GU61270300	Spring washer 8x15x0,3	7	
28	GU19356801	Spacer	1	
29	GU90706188	Gasket ring 18,77X1,78	1	
30	GU19356700	Nut	1	
31	GU19352401	Bearing casing	1	
32	GU92249220	Roller bearing 20x47x14	1	
33	GU19355300	Spacer 1 mm	2	
33	GU19355301	Spacer 1,1 mm	2	
33	GU19355302	Spacer 1,2 mm	2	
33	GU19355303	Spacer 1,3 mm	2	
33	GU19355304	Spacer 1,4 mm	2	
33	GU19355305	Spacer 1,5 mm	2	
33	GU19355306	Spacer 1,6 mm	2	
33	GU19355307	Spacer 1,7 mm	2	
33	GU19355308	Spacer 1,8 mm	2	
33	GU19355309	Spacer 1,9 mm	2	
34	GU19355121	Spacer	1	
35	GU19355200	Shim 0,1 mm	1	
36	GU19355202	Shim 0,15 mm	1	
37	GU90706552	Gasket ring	1	
38	GU90403247	Gasket ring	1	
39	GU27634110	Spacer	2	
40	GU19355320	Spacer 1 mm	1	

Assembly	FRAME
Code	33.04
Description	Bevel gear
Revision	1



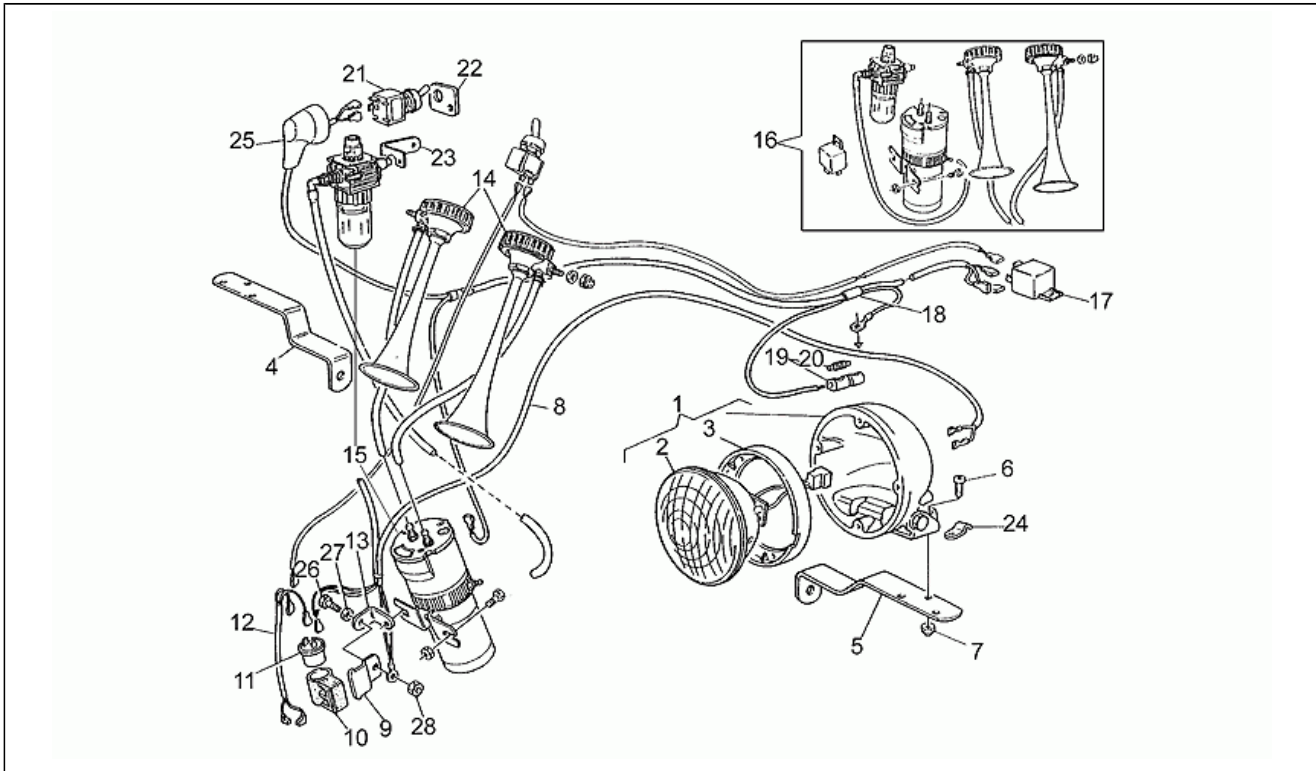
Pos.	Code	Description	Q.ty	Variants
40	GU19355321	Spacer 1,1 mm	1	
40	GU19355322	Spacer 1,2 mm	1	
40	GU19355323	Spacer 1,3 mm	1	
40	GU19355324	Spacer 1,4 mm	1	
40	GU19355325	Spacer 1,5 mm	1	
40	GU19355326	Spacer 1,6 mm	1	
40	GU19355327	Spacer 1,7 mm	1	
40	GU19355328	Spacer 1,8 mm	1	
40	GU19355329	Spacer 1,9 mm	1	
41	GU27357411	Plate	1	
42	GU90706076	O-ring	2	

Assembly	FRAME
Code	33.05
Description	Dashboard
Revision	1



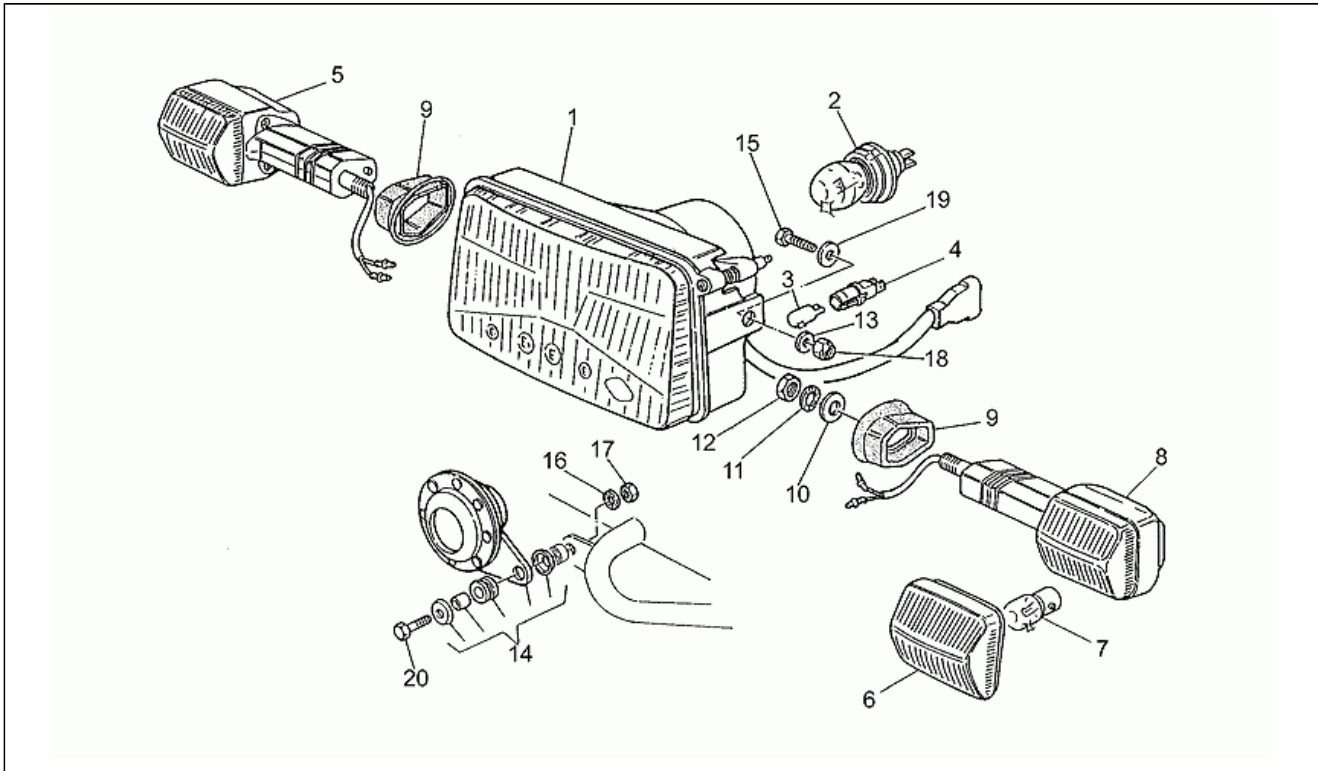
Pos.	Code	Description	Q.ty	Variants
1	GU31501635	Dashboard lower support	1	
2	GU27761515	Speedometer	1	
3	GU23768310	Gear 60°	1	
4	GU27767275	Tachometer	1	
5	GU31766930	Indicator light box	1	
6	GU14768650	Lampholder	2	
7	GU93450120	Lamp 12v-3w	2	
8	GU65758970	Blinker indicator light holder	2	
9	GU66768510	Lampholder, complete	7	
10	GU28745761	Turn indicator switch	1	
11	GU27768185	Rev counter transmission	1	
12	GU27760410	Speedometer transmission	1	
13	GU14769200	Gear Z=14	1	
14	GU39762501	Odometer gear	1	
15	GU00823931070	Gasket	1	
16	GU31501730	Gasket	1	
17	GU31926030	Tyre pressure decal	1	
18	GU31923930	Filling decal	1	
19	GU31922530	"Aquila" decal	1	
20	GU35755780	Rubber protection	1	
21	GU31745735	Strobo lights switch	1	
22	GU31917535	"Lights" decal	1	

Assembly	FRAME
Code	33.06
Description	Blue headlight - two-tone horn
Revision	1



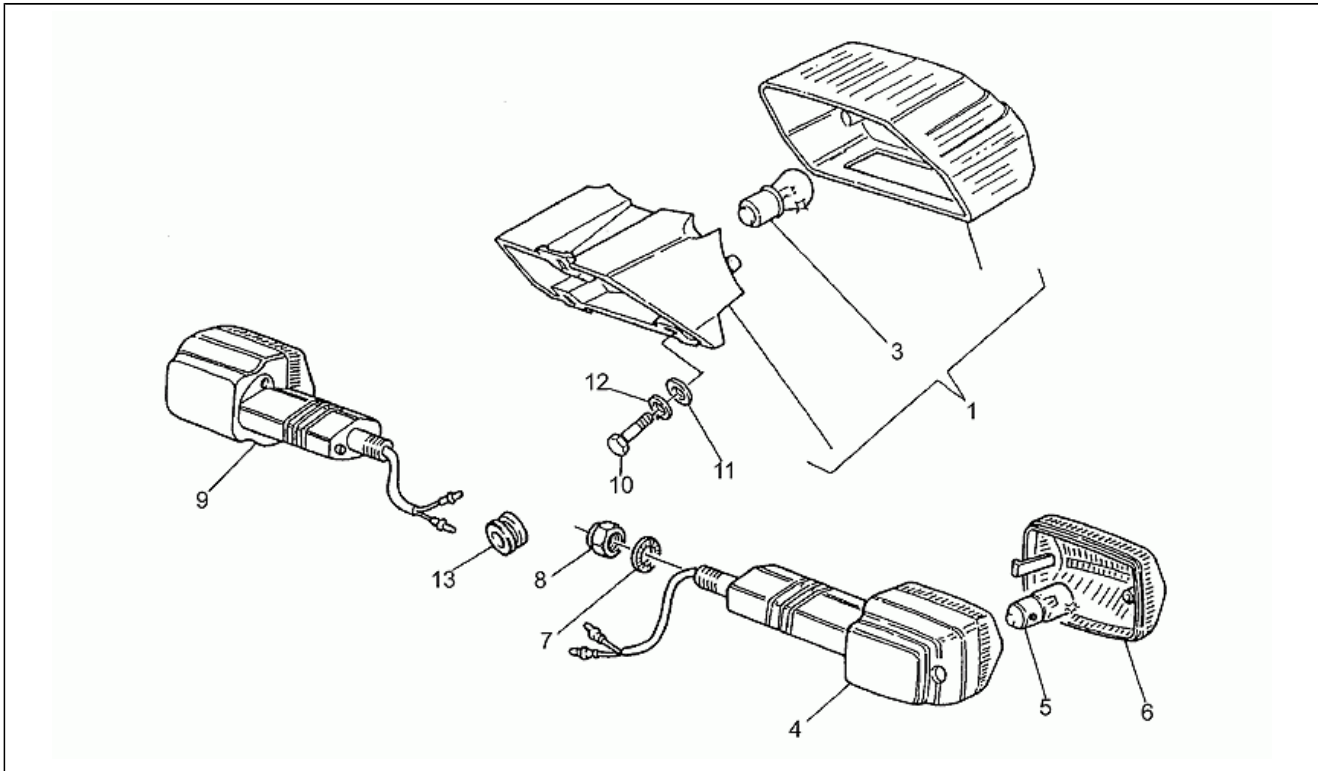
Pos.	Code	Description	Q.ty	Variants
1	GU31743335	Halogen light assy., blue CPU	2	
2	GU23743392	Additional halogen light, blue CPU	2	
3	GU23742890	Light frame	2	
4	GU31743535	RH support plate	1	
5	GU31743635	LH support plate	1	
6	GU98290520	Screw	6	
7	GU92630105	Nut	6	
8	GU31757735	Intermittence wiring	1	
9	GU17750400	Plate	1	
10	GU17751200	Block	1	
11	GU17750520	Flasher unit	2	
12	GU18720150	Wiring	1	
13	GU17756840	Clamp	1	
14	GU31743735	Horns with pipe	1	
15	GU31746036	Electrical compressor	1	
16	GU31746035	Horn unit	1	
17	GU31732535	Horn relay	1	
18	GU31726135	Two-tone horn wiring	1	
19	GU23742500	Fusebox assy	1	
20	GU17742550	Fuse 16A	1	
21	GU31745735	Strobo lights switch	1	
22	GU31433835	Switch support	1	
23	GU31744035	Plate	1	
24	GU93301315	U-bolt	1	
25	GU23707100	Cap	1	
26	GU98054316	Hex screw M6X16	1	
27	GU95000206	Washer	1	
28	GU92630106	Nut M6x1	1	

Assembly	FRAME
Code	33.07
Description	Headlight-Horn
Revision	1



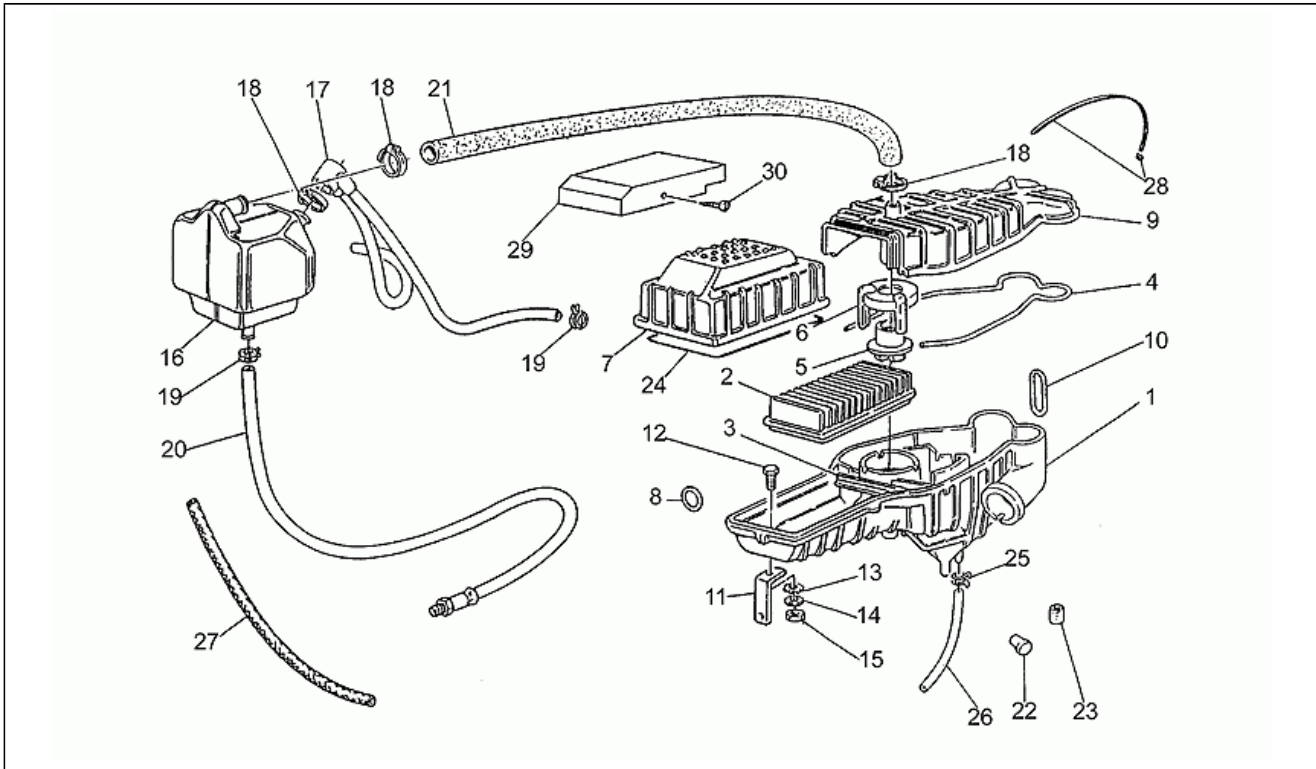
Pos.	Code	Description	Q.ty	Variants
1	GU27740515	Headlight	1	
2	GU93450231	Lamp 12V 45/40W	1	
3	GU93450105	Lamp 12V-5W	1	
4	GU14768650	Lampholder	1	
5	GU31750630	Blinker	1	
6	GU31753730	Blinker lens	2	
7	GU93450127	Lamp 12V-10W	2	
8	GU31750630	Blinker	1	
9	GU31753230	Blinker support	2	
10	GU95007210	Washer	2	
11	GU95021110	Notched washer	2	
12	GU92602411	Nut	2	
13	GU95100121	Washer 5,3x10x0,5	2	
14	GU27743715	Horn	1	
15	GU98054322	Hex screw M6X22	3	
16	GU95021106	Notched washer	1	
17	GU92602206	Nut	1	
18	GU92630106	Nut M6x1	2	
19	GU95100141	Washer 6,4x12x1,2	2	
20	GU98620330	Screw M6X30	1	

Assembly	FRAME
Code	33.08
Description	Taillight
Revision	1



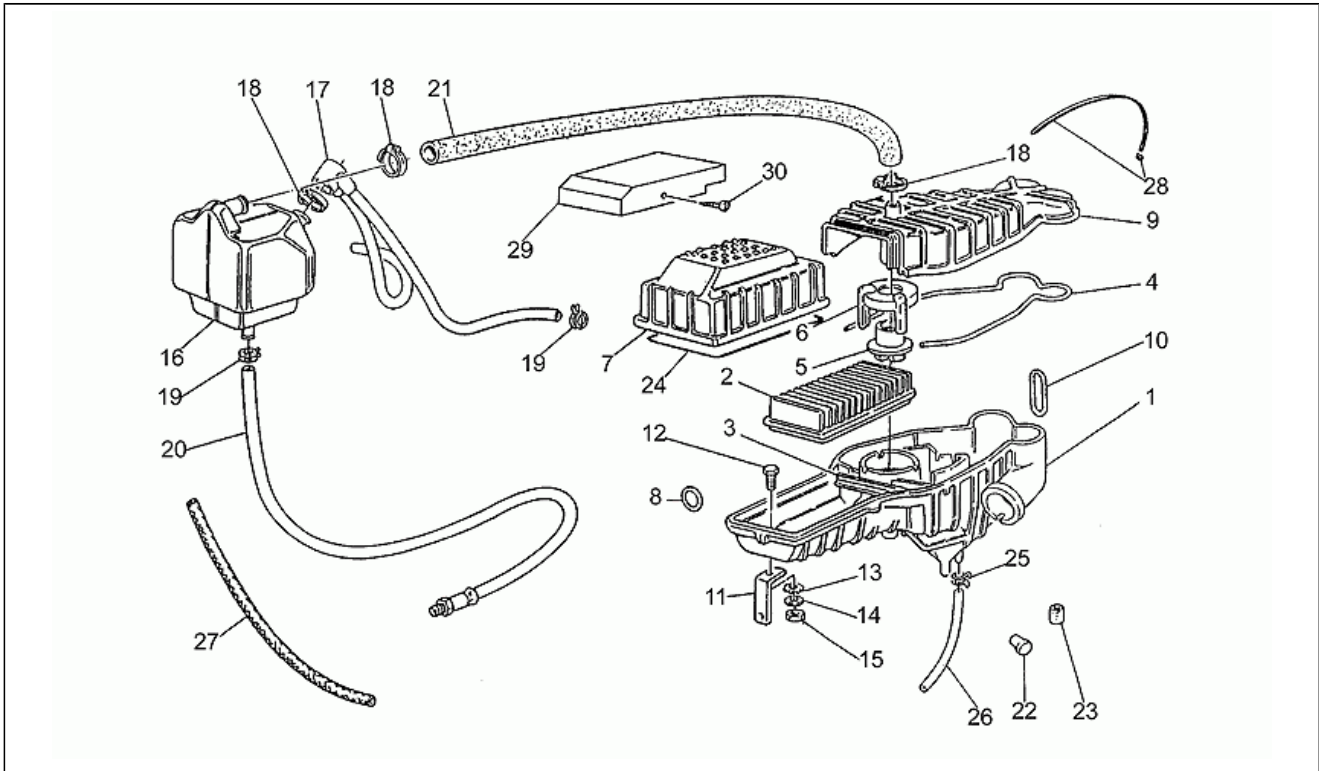
Pos.	Code	Description	Q.ty	Variants
1	GU66740915	Taillight	1	
3	GU93450224	Lamp 12V/5-21W	1	
4	GU31750630	Blinker	1	
5	GU93450127	Lamp 12V-10W	2	
6	GU31753730	Blinker lens	2	
7	GU95021110	Notched washer	2	
8	GU92602411	Nut	2	
9	GU31750630	Blinker	1	
10	GU98054320	Hex screw M6X20	3	
11	GU95100118	Washer 6,2X18X1	3	
12	GU61013800	Special washer	3	
13	GU91551062	Rubber spacer	1	

Assembly	FRAME
Code	33.09
Description	Air filter
Revision	1



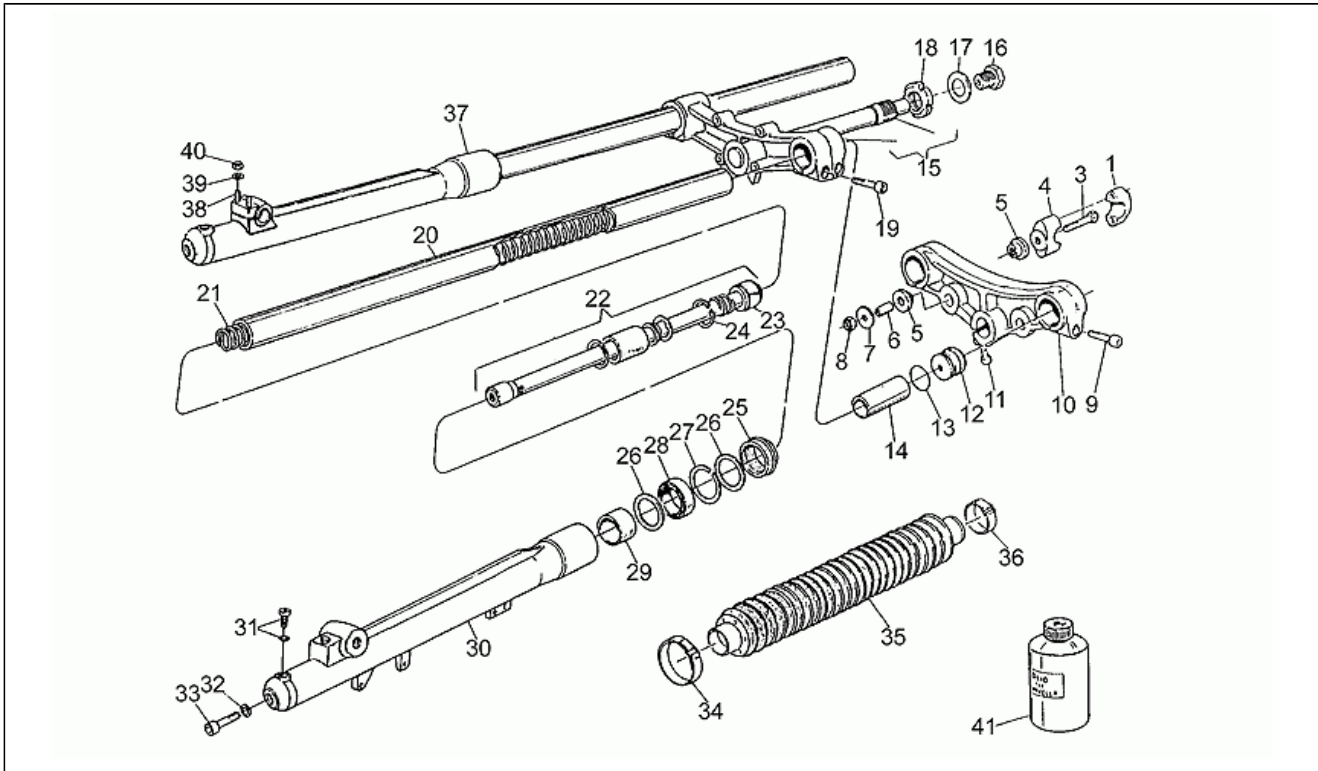
Pos.	Code	Description	Q.ty	Variants
1	GU19114060	Lower side filter case	1	
2	GU28113650	Air filter	1	
3	GU19112960	Bracket	1	
4	GU19113960	Gasket	1	
5	GU19111060	Protection	1	
6	GU19111160	Cover	1	
7	GU19113760	Filter cover	1	
8	GU31110715	Short spring	3	
9	GU19113460	Upper side filter case	1	
10	GU31110815	Length spring	3	
11	GU31114165	Air filter support	1	
12	GU98054214	Screw	1	
13	GU95021105	Notched washer	1	
14	GU95000205	Washer	1	
15	GU92630105	Nut	1	
16	GU27153460	Housing	1	
17	GU23159670	Breather	1	
18	GU93305018	Hose clamp	3	
19	GU61108400	Hose clamp	3	
20	GU27159360	Breather	1	
21	GU30157430	Pipe	1	
22	GU19433000	Lockup rubber	1	
23	GU14423800	Rubber spacer	1	
24	GU27113985	Gasket	1	
25	GU61108500	Hose clamp D9	1	
26	GU00823944050	Pipe 5X9	1	
27	GU00823923140	Thermal sheath	1	
28	GU27609685	Hose clamp	1	

Assembly	FRAME
Code	33.09
Description	Air filter
Revision	1



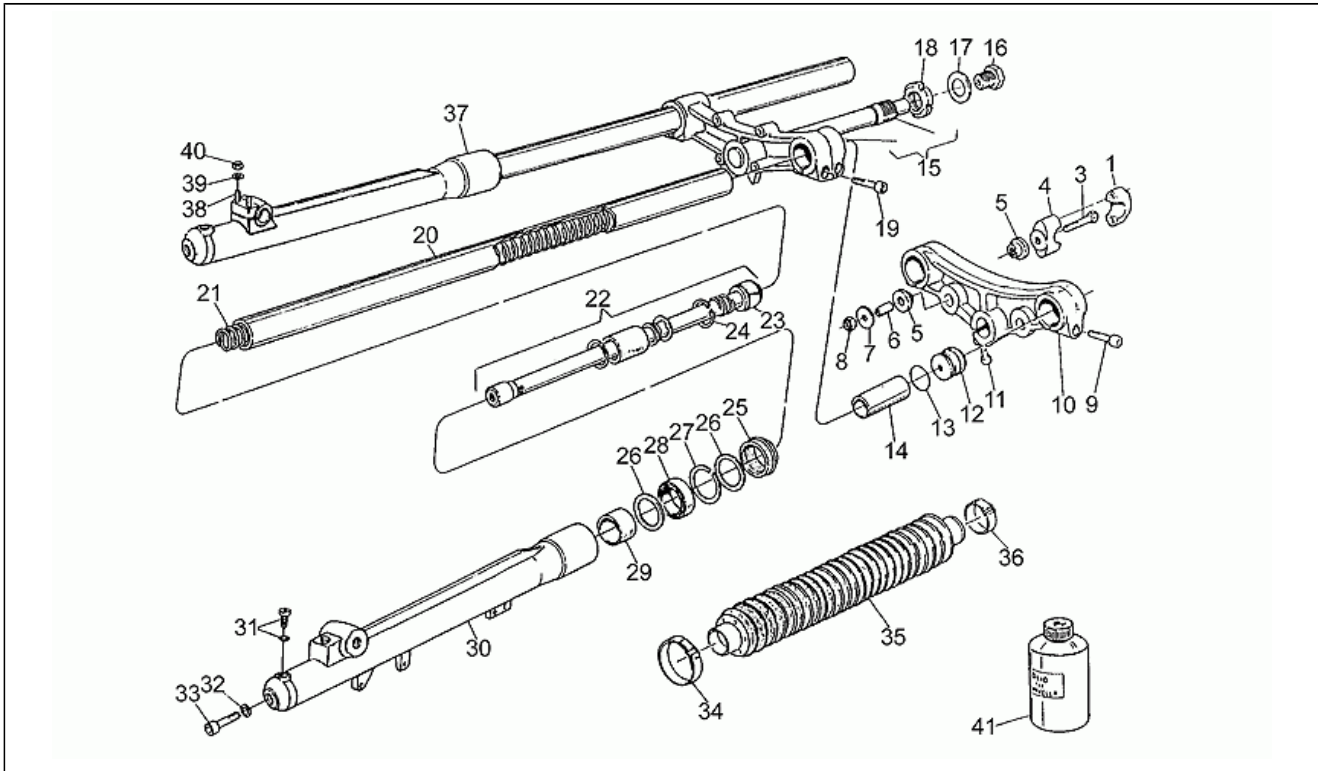
Pos.	Code	Description	Q.ty	Variants
29	GU27111271	Guard	1	
30	GU99200413	Self-tap screw	2	

Assembly	FRAME
Code	33.10
Description	Front fork
Revision	1



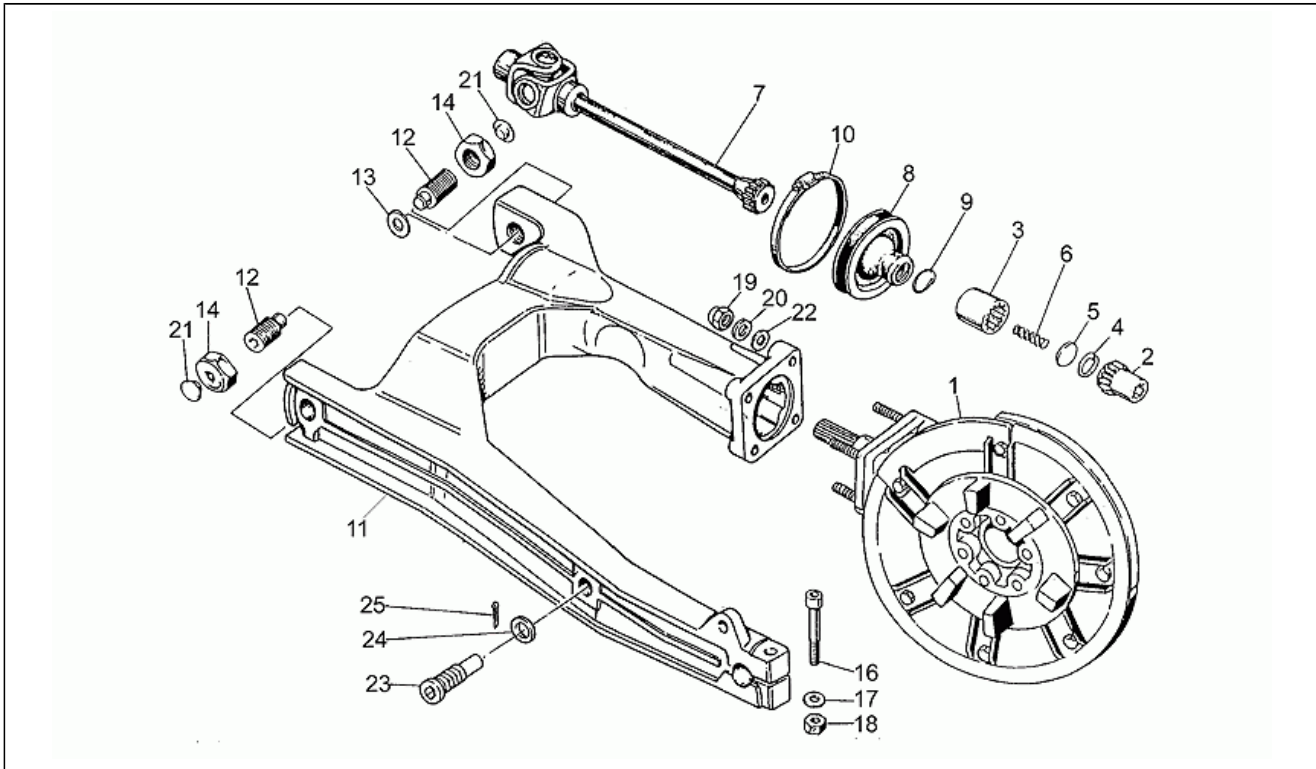
Pos.	Code	Description	Q.ty	Variants
1	GU27530501	Upper U-bolt, black	2	
3	GU66530501	Screw	2	
4	GU66500510	Lower U-bolt, black	2	
5	GU27530503	Rubber spacer	4	
6	GU27530504	Pipe	2	
7	GU27530505	Cup	2	
8	GU27530506	Nut	2	
9	GU66530504	Screw	2	
10	GU27493170	Fork head black	1	
11	GU66530505	Screw M8x30	4	
12	GU27530575	Plug	2	
13	GU27530576	O-ring	2	
14	GU27530577	Pipe	2	
15	GU27494070	Bottom plate, black	1	
16	GU27530509	Nut	1	
17	GU27530510	Washer	1	
18	GU27530511	Ring nut	1	
19	GU98620335	Screw M6X35	4	
20	GU27525415	Sleeve	2	
21	GU31526636	Spring	2	
22	GU27530578	Plunger, complete	2	
23	GU27530579	Gasket ring	2	
24	GU27530580	Stop ring	2	
25	GU27530581	Dust cover	2	
26	GU27530582	Washer	4	
27	GU27530583	Snap ring	2	
28	GU27530584	Gasket ring 40x52x9,5	2	
29	GU27530585	Bush	2	

Assembly	FRAME
Code	33.10
Description	Front fork
Revision	1



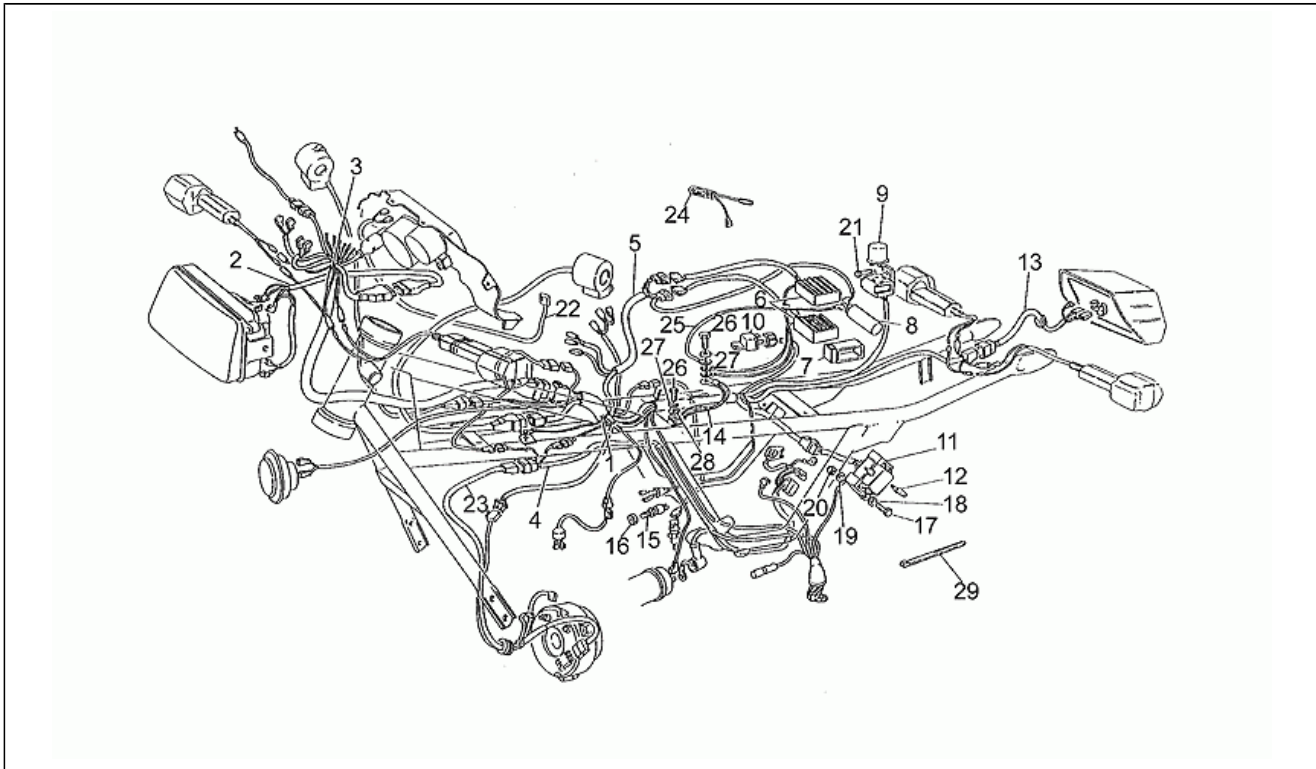
Pos.	Code	Description	Q.ty	Variants
30	GU27522670	LH sleeve	1	
31	GU27530523	Screw	2	
32	GU27530591	Washer	2	
33	GU27530592	Screw	2	
34	GU27530586	Hose clamp	2	
35	GU27530530	Anti-dust tube	2	
36	GU27530587	Hose clamp	2	
37	GU27522570	RH sleeve	1	
38	GU27530522	Stud bolt	2	
39	GU27530521	Washer	2	
40	GU27530520	Self-locking nut	2	
41	GU27530531	Engine oil SAE 20	1	

Assembly	FRAME
Code	33.11
Description	Swing arm
Revision	1



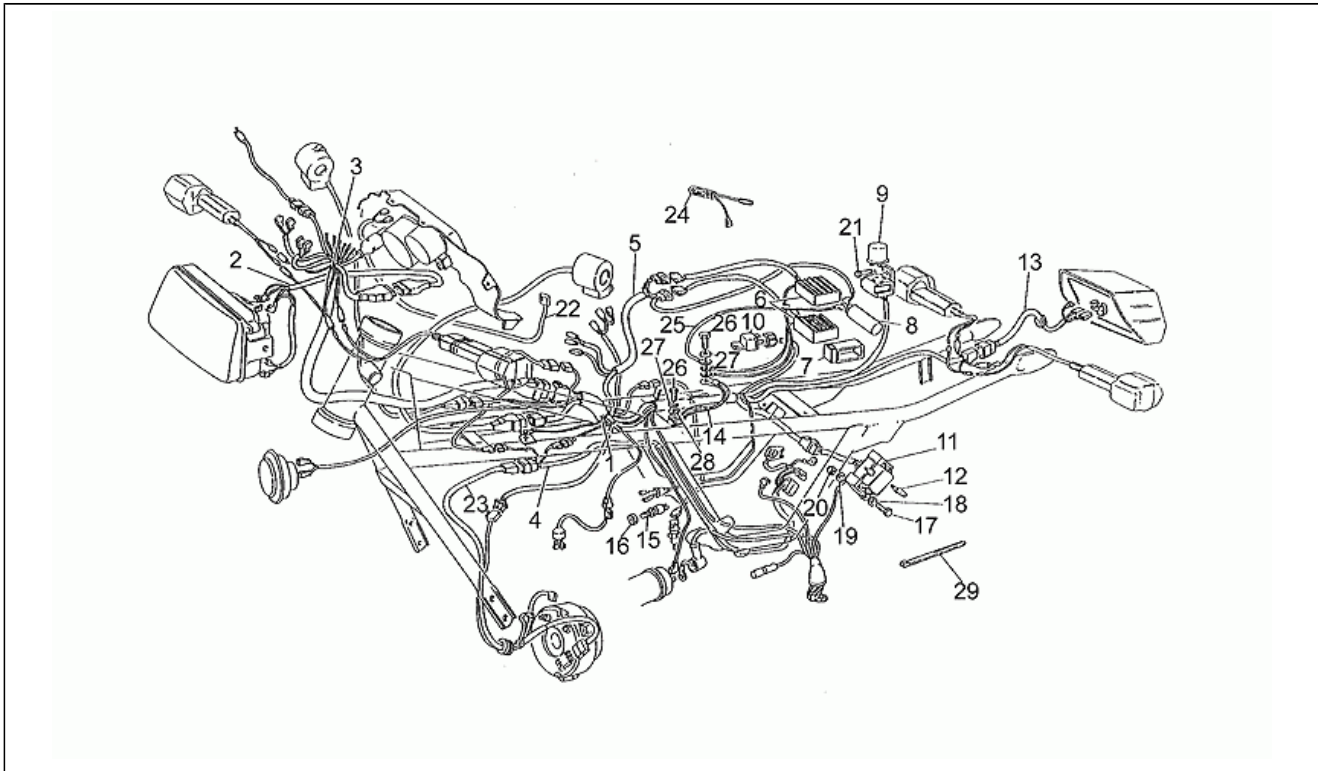
Pos.	Code	Description	Q.ty	Variants
1	GU31350231	Transmission complete	1	
2	GU19327701	Hose	1	
3	GU19328801	Hose	1	
4	GU90272023	Circlip	1	
5	GU19327601	Disc	1	
6	GU94321099	Spring	1	
7	GU23328081	Coupling	1	
8	GU23548080	Protection collar	1	
9	GU23548180	Spring	1	
10	GU93305074	Hose clamp	1	
11	GU31540231	Swing arm	1	Technical Specifications: See spare parts comm.n.029 of 1999[02999N]
12	GU19547000	Pin	2	
13	GU35214300	Spacer	1	
14	GU14547800	Nut	2	
16	GU98820545	Screw	1	
17	GU95004210	Washer 10,2x18x2	1	
18	GU92602210	Nut	1	
19	GU92781082	Cap nut	4	
20	GU14615901	Washer 8,4X13X0,8	4	
21	GU93180105	Plug	2	
22	GU95007208	Washer	4	
23	GU31544160	Pin	1	Technical Specifications: See spare parts comm.n.029 of 1999[02999N]
24	GU95100523	Washer 14,5X20X1	1	Technical Specifications: See spare parts comm.n.029 of 1999[02999N]
25	GU95500222	Split pin	1	Technical Specifications: See spare parts comm.n.029 of 1999[02999N]

Assembly	FRAME
Code	33.12
Description	Electrical system
Revision	1



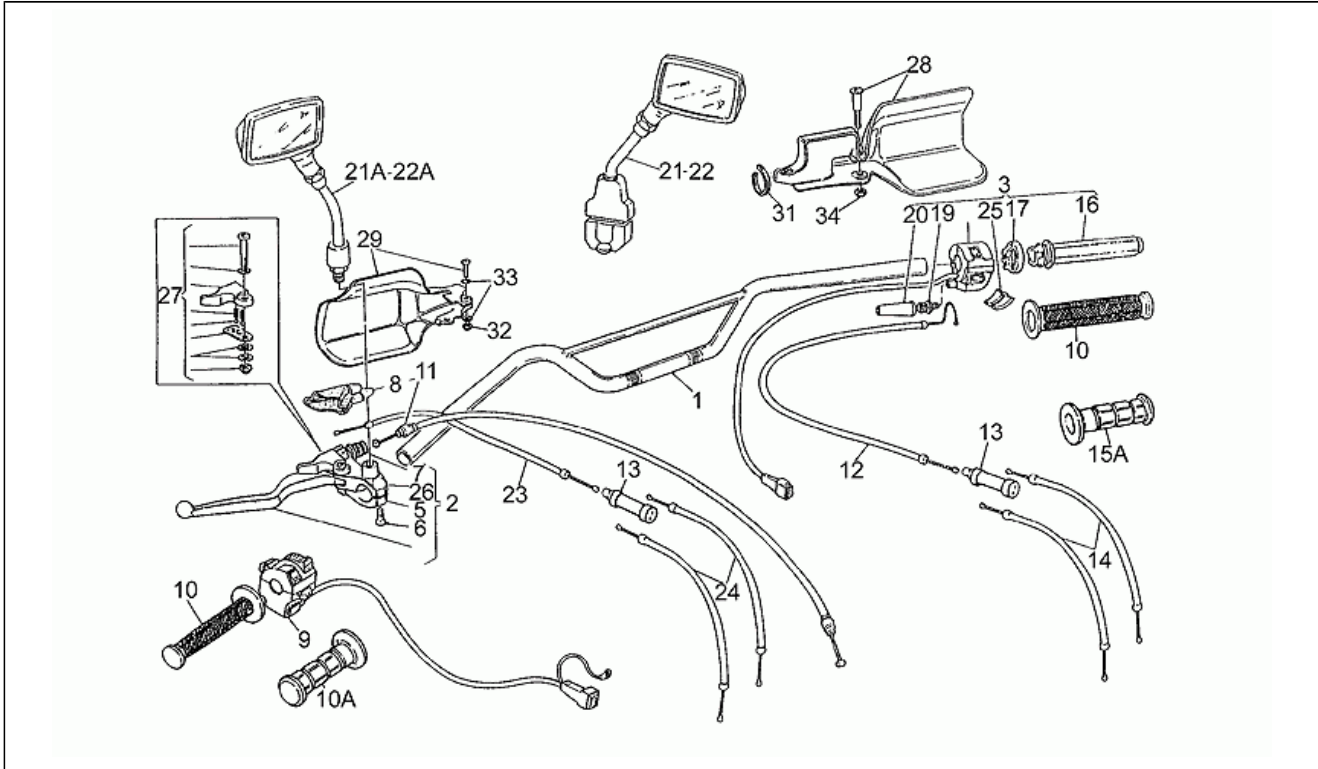
Pos.	Code	Description	Q.ty	Variants
1	GU31747130	Main wiring harness	1	
2	GU14747455	Headlight wiring w/harness	1	
3	GU31747230	Instrum.board cable kit	1	
4	GU27725810	Alternator-regulator wiring	1	
4	GU27725820	Alternator-regulator wiring	1	
5	GU31722130	H.T. wiring	1	
6	GU23721493	ECU elettronica	2	
7	GU27723835	Flexible support	2	
8	GU27710435	Capacitor	1	
9	GU17750520	Flasher unit	1	
10	GU19732500	Starter relay	1	
11	GU30743000	Fuse holder box	1	
12	GU28742560	Fuse 15A	6	
13	GU31747330	Taillight wiring harn.	1	
14	GU28747960	Ground-battery lead	1	
15	GU39741150	Brake light switch	1	
16	GU92700071	Nut	2	
17	GU98054220	Screw	2	
18	GU95100059	Washer 5,25x14x1,5	2	
19	GU95000205	Washer	4	
20	GU92630205	Nut	2	
21	GU98054212	Screw	1	
22	GU31759230	Wire	1	
23	GU23726300	Alternator wiring BOSCH	1	
24	GU28727200	Resistance	1	Technical Specifications: Bosch[B]
25	GU18759550	Wire	1	
26	GU98054314	Screw	2	
27	GU95000206	Washer	2	

Assembly	FRAME
Code	33.12
Description	Electrical system
Revision	1



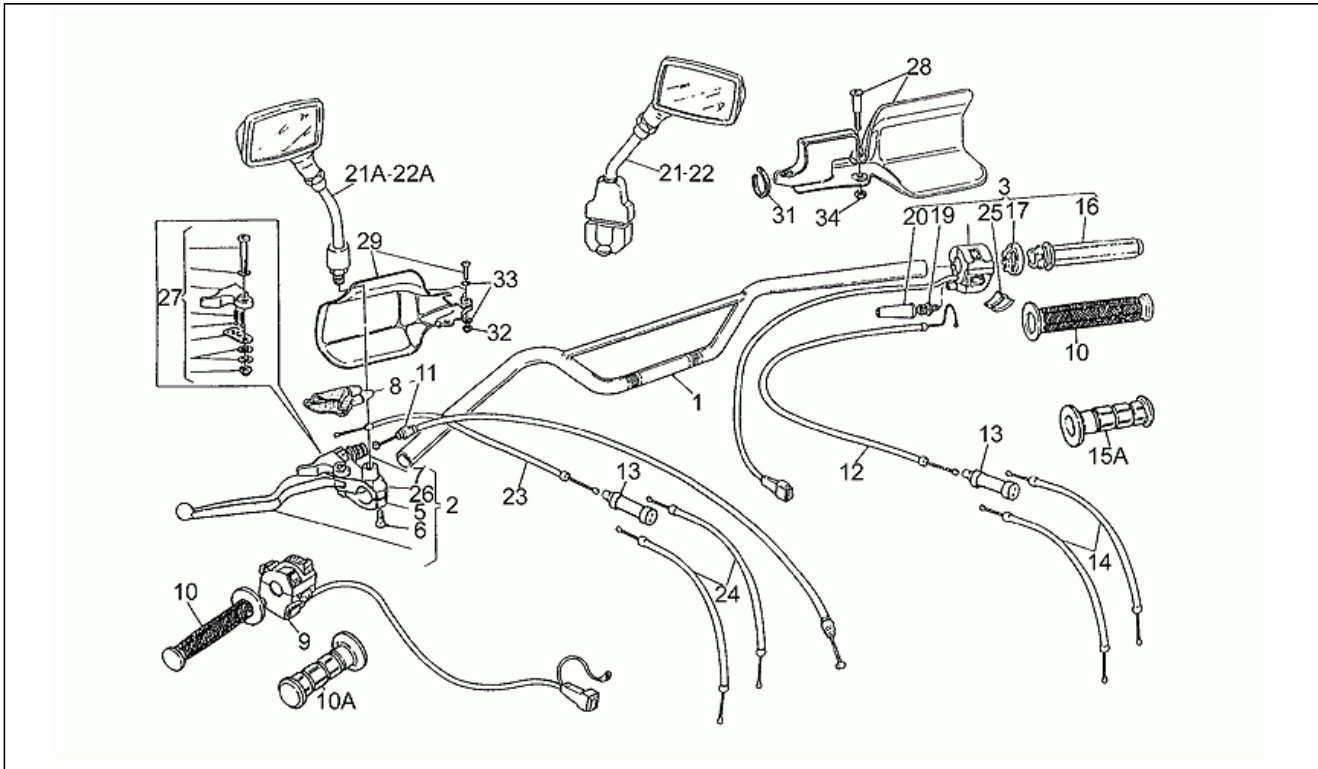
Pos.	Code	Description	Q.ty	Variants
28	GU95021106	Notched washer	2	
29	GU14609650	Hose clamp 3,6x20,6	1	
29	GU61609630	Hose clamp	1	

Assembly	FRAME
Code	33.13
Description	Handlebar - Controls
Revision	1



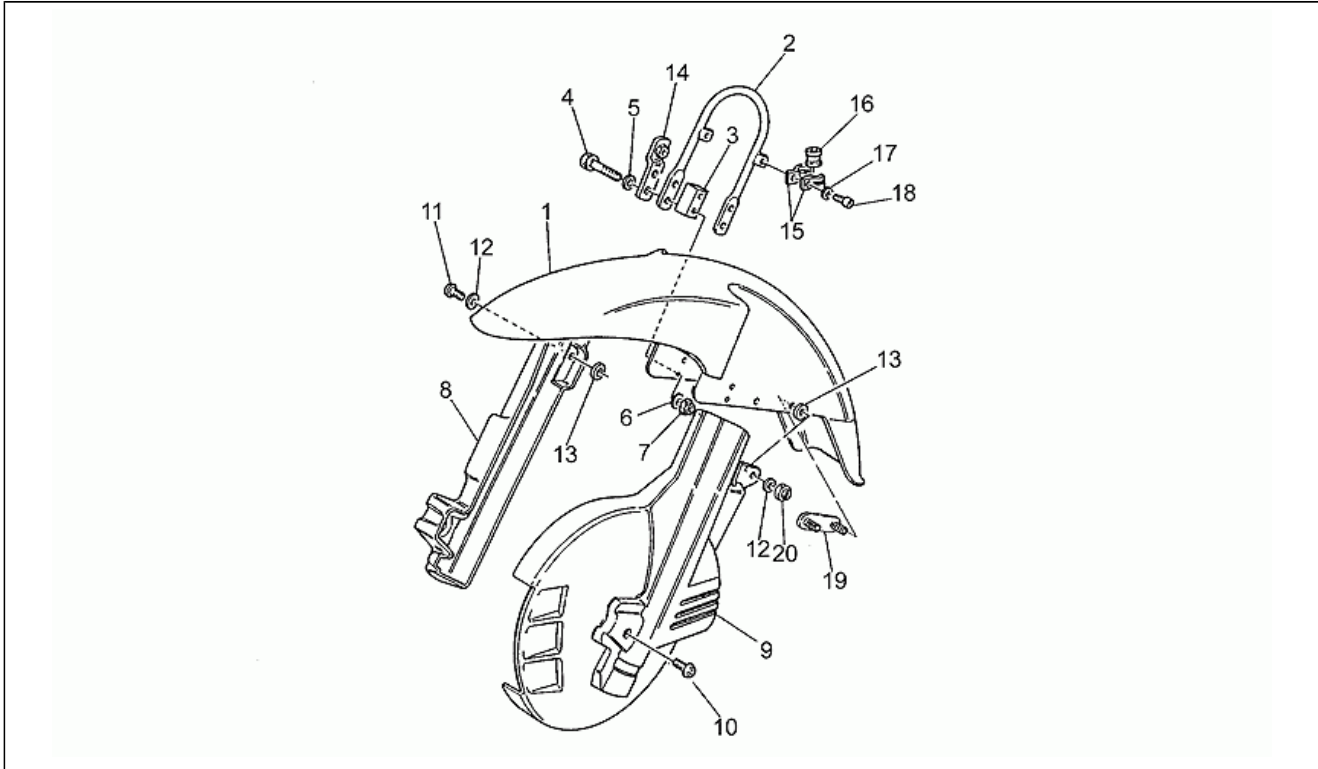
Pos.	Code	Description	Q.ty	Variants
1	GU27600315	Handlebar	1	
2	GU30605530	Clutch lever cpl.	1	
3	GU27603400	Throttle	1	
5	GU27601015	U-bolt	1	
6	GU27601215	Screw	2	
7	GU30602500	Register	1	
8	GU27663815	Protection	1	
9	GU27738015	LH lights selector	1	
10	GU27603016	LH hand grip	1	Technical Specifications:Second series[2A]
10	GU27999416	Handgrip - pair	1	Technical Specifications:First series[1A]
11	GU27093015	Clutch cable	1	
12	GU27117515	Throttle cable	1	
13	GU30607910	Splitter	2	
14	GU27117775	Throttle cable	2	
15	GU27603516	RH hand grip	1	Technical Specifications:Second series[2A]
16	GU27603815	Mobile body	1	
17	GU27604415	Steering block	1	
19	GU27603715	Adjuster screw	1	
20	GU27117615	Cap	1	
21	GU30999530	Rearview mirror	1	Technical Specifications:First series[1A]
21	GU30999530	Rearview mirror	1	Technical Specifications:Second series[2A]
22	GU30999530	Rearview mirror	1	Technical Specifications:First series[1A]
22	GU30999530	Rearview mirror	1	Technical Specifications:Second series[2A]
23	GU27132815	Choke cable	1	
24	GU27133515	Choke cable	2	
25	GU27604515	Cable guide	1	
26	GU27601815	Clutch lever U-bolt	1	
27	GU27659415	Starter lever	1	

Assembly	FRAME
Code	33.13
Description	Handlebar - Controls
Revision	1



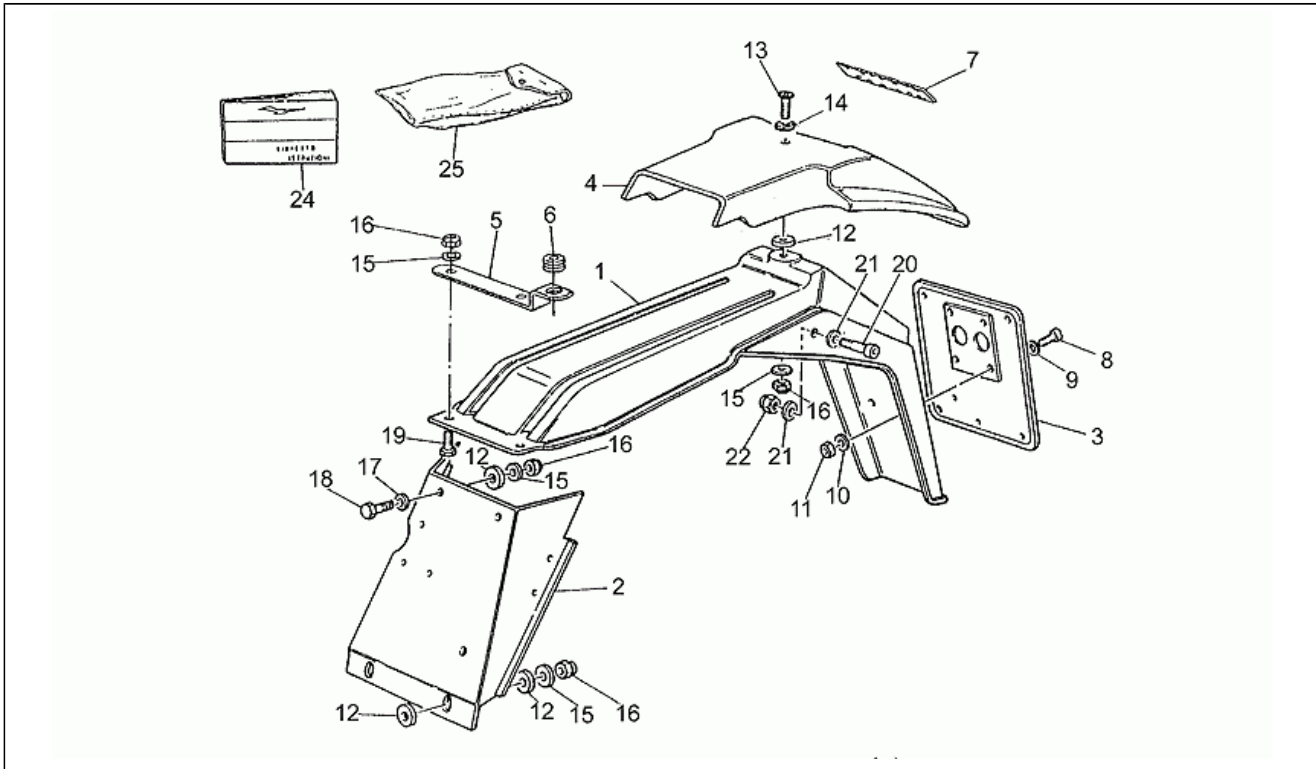
Pos.	Code	Description	Q.ty	Variants
28	GU305929301	RH handguard	1	Color:White[w.]
28	GU31592935	RH handguard	1	Color:Police Cyan[a.p]
29	GU305930301	LH handguard	1	Color:White[w.]
29	GU31593035	LH handguard	1	Color:Police Cyan[a.p]
31	GU14609650	Hose clamp 3,6x20,6	1	
32	GU92630104	Nut M4x0,7	1	
33	GU95000204	Washer	2	
34	GU92630106	Nut M6x1	1	

Assembly	FRAME
Code	33.14
Description	Front mudguard
Revision	1



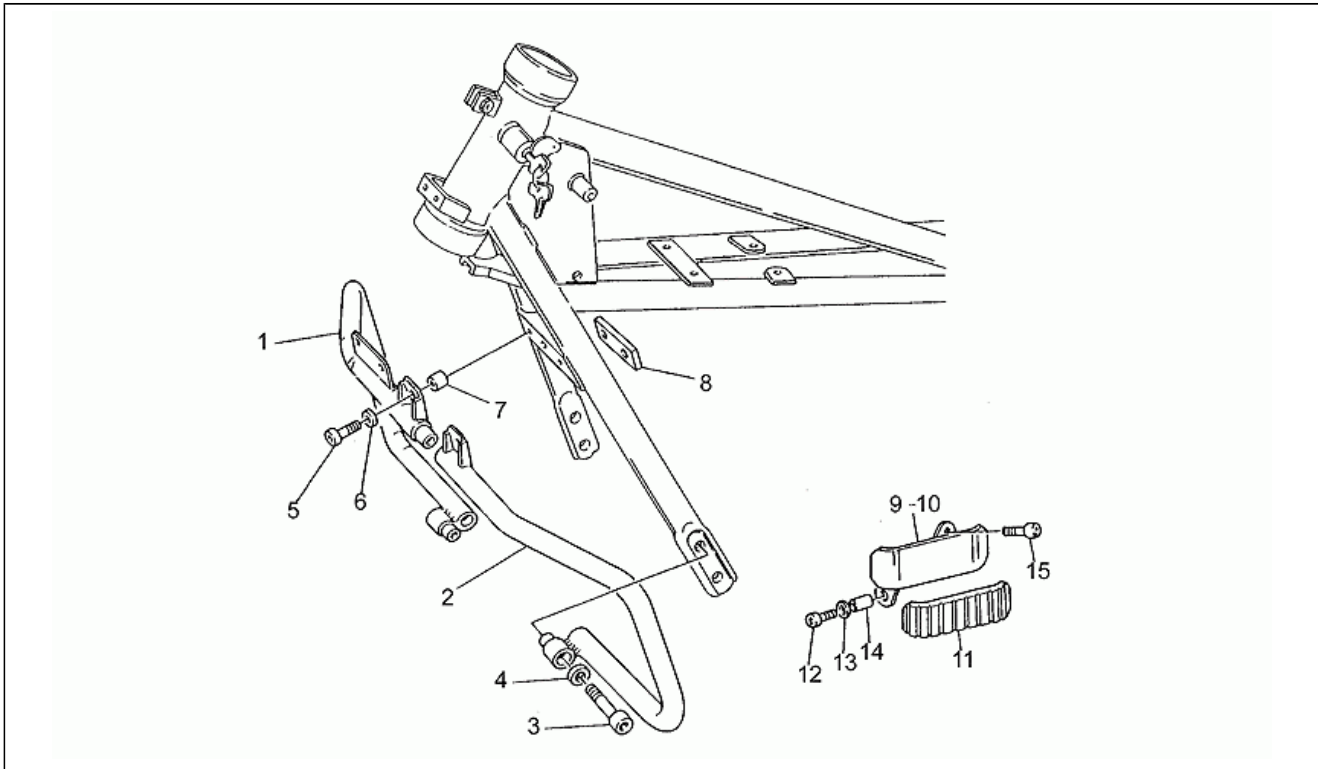
Pos.	Code	Description	Q.ty	Variants
1	GU314343301	Front mudguard	1	Color:Blank[gr]
1	GU31434335	Front mudguard	1	Color:Police Cyan[a.p]
1	GU31434336	Front mudguard	1	Color:White[w.]
2	GU31436635	U-bolt	1	Color:Police Cyan[a.p]
2	GU31436636	U-bolt	1	Color:White[w.]
3	GU27436875	Spacer	2	Color:White[w.]
3	GU31436835	Spacer	2	Color:Police Cyan[a.p]
4	GU98052350	Screw	4	
5	GU95000206	Washer	4	
6	GU95100121	Washer 5,3x10x0,5	6	
7	GU92630106	Nut M6x1	4	
8	GU31584530	RH protection	1	Color:White[w.]
8	GU31584535	RH protection	1	Color:Police Cyan[a.p]
9	GU31584435	Front disc guard	1	Color:Police Cyan[a.p]
9	GU31584436	Front disc guard	1	Color:White[w.]
10	GU98230616	Screw	2	
11	GU98230622	Screw	1	
12	GU66478610	Nylon washer 6X17X1	5	
13	GU93110060	Rubber spacer	5	
14	GU31584630	Plate	1	
15	GU27651315	Hose clamp	4	
16	GU17658260	Ring	2	
17	GU61013800	Special washer	2	
18	GU98612312	Screw	2	
19	GU31583935	Lock plate	1	
20	GU92630206	Nut M6x1	2	

Assembly	FRAME
Code	33.15
Description	Rear mudguard
Revision	1



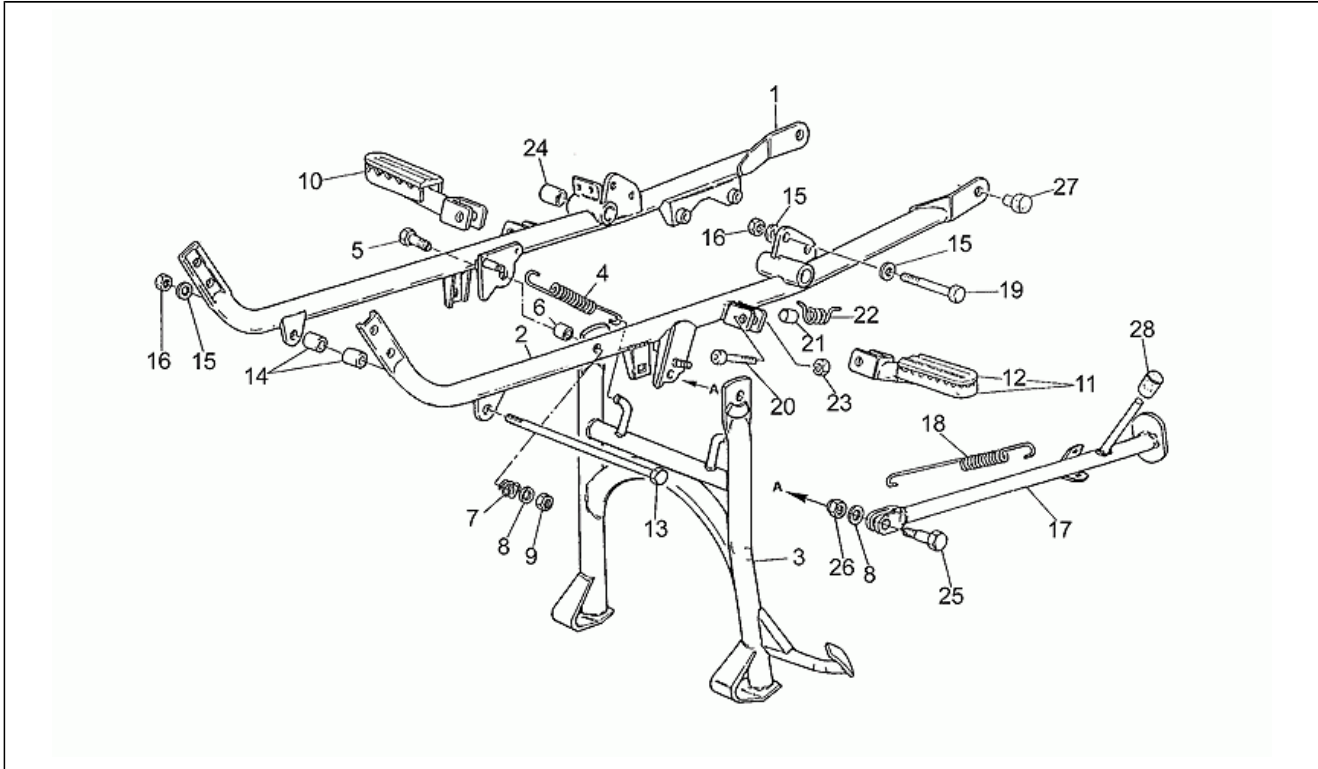
Pos.	Code	Description	Q.ty	Variants
1	GU31437030	Rear mudguard	1	
2	GU31438730	Splash guard	1	
3	GU39474600	Number plate holder	1	
4	GU314664301	Rear fairing, blank	1	Color:Blank[gr]
4	GU31466435	Rear fairing, sky blue	1	Color:Police Cyan[a.p]
4	GU31466436	Rear fairing, white	1	Color:White[w.]
5	GU31460935	Clamp	1	
6	GU91551131	Rubber spacer	1	
7	GU28923400	"MotoGuzzi" dec.	1	
8	GU98200410	Screw	4	
9	GU95000204	Washer	4	
10	GU95129080	Washer	4	
11	GU92602204	Nut	4	
12	GU93110060	Rubber spacer	7	
13	GU98326016	Screw	1	
14	GU66478610	Nylon washer 6X17X1	1	
15	GU95100141	Washer 6,4x12x1,2	7	
16	GU92630106	Nut M6x1	7	
17	GU95000206	Washer	2	
18	GU98054330	Screw	2	
19	GU98054320	Hex screw M6X20	2	
20	GU98820435	Screw	2	
21	GU95100235	Spacer	4	
22	GU92630108	Nut	2	
24	GU27900015	Operator's handbook	1	Country:Italy[l]
25	GU28929940	Toolkit	1	

Assembly	FRAME
Code	33.16
Description	Front bumper
Revision	1



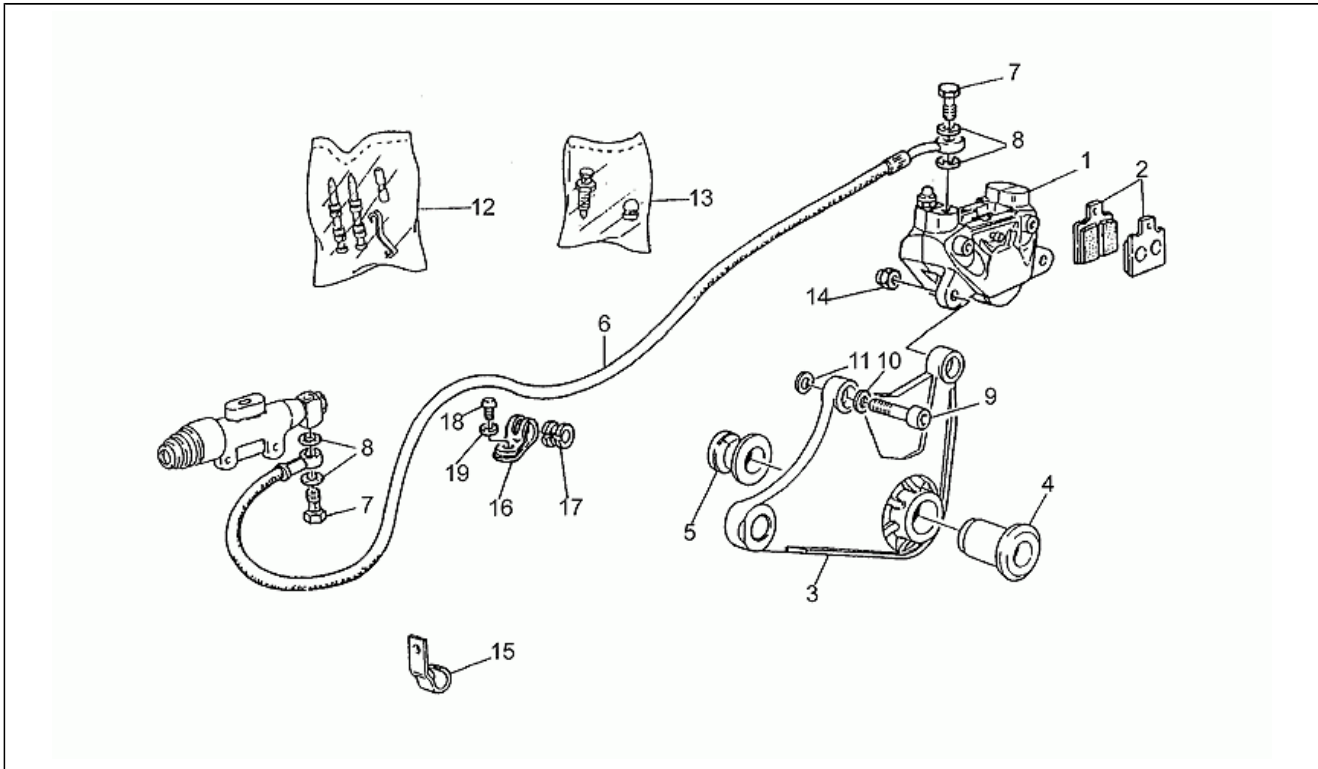
Pos.	Code	Description	Q.ty	Variants
1	GU31450335	RH front bumper	1	
2	GU31450435	LH front bumper	1	
3	GU98610550	Screw	2	
4	GU95120105	Washer	2	
5	GU98230822	Top screw	2	
6	GU95004208	Washer	2	
7	GU91180802	Spacer	2	
8	GU17451750	Plate	1	
9	GU19941095	RH protection	1	
10	GU19941495	LH protection	1	
11	GU18941750	Rubber spacer	2	
12	GU98620350	Hex socket screw M6X50	2	
13	GU61013800	Special washer	2	
14	GU91180721	Spacer	2	
15	GU98610330	Screw M6x30	2	

Assembly	FRAME
Code	33.17
Description	Foot rests - Lateral stand
Revision	1



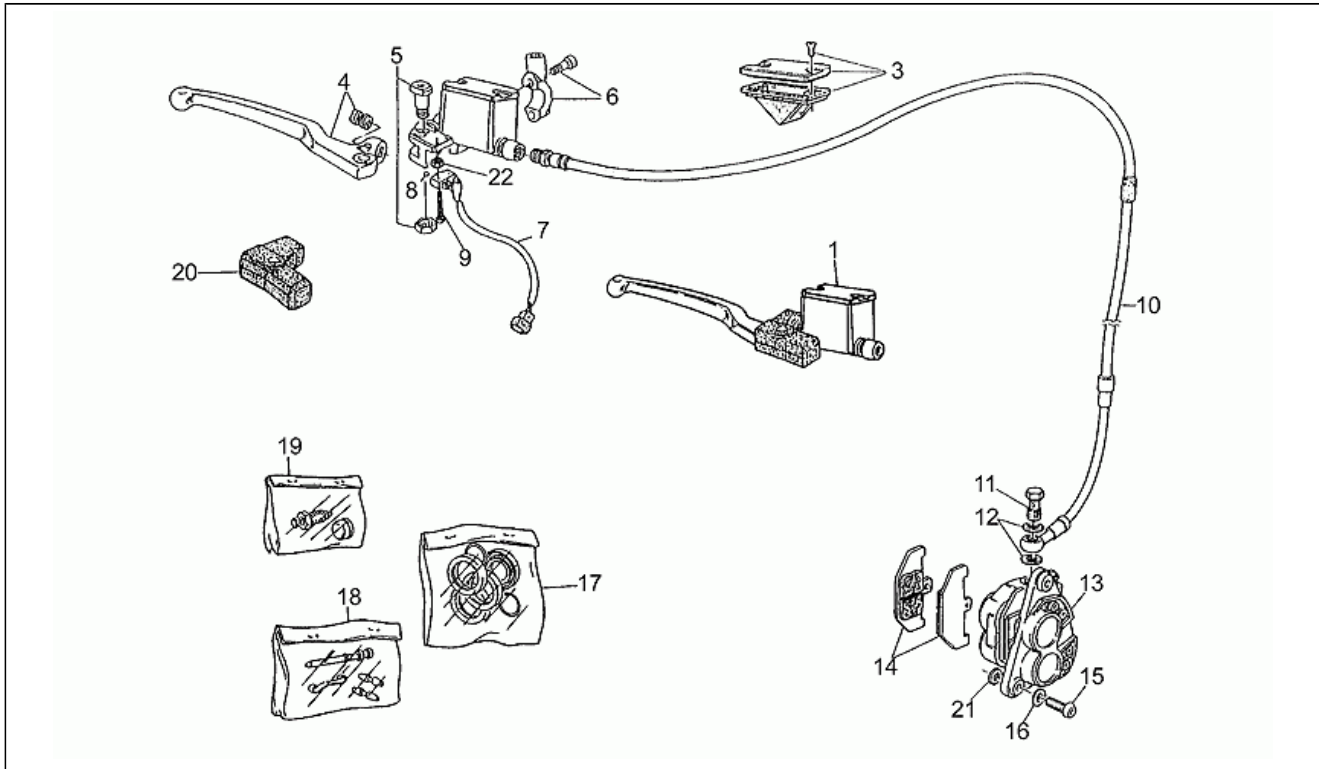
Pos.	Code	Description	Q.ty	Variants
1	GU31420330	RH cradle arm	1	
2	GU99105117	Stand pin	1	
3	GU31430335	Central stand	1	
4	GU12434001	Lateral stand spring	1	
5	GU98054535	Hex screw M10X35	2	
6	GU91181114	Spacer	2	
7	GU94322215	Spring	2	
8	GU95000210	Washer	3	
9	GU92630110	Nut M10X1,5	2	
10	GU27440210	RH Foot rests	1	
11	GU27441310	LH Foot rests	1	
12	GU27443210	Footrest rubber	2	
13	GU27429515	Screw	1	
14	GU19017000	Bush	1	
15	GU95007210	Washer	5	
16	GU92601210	Nut	3	
17	GU31432035	Lateral stand	2	
18	GU19434000	Spring	2	
19	GU98072565	Screw	2	
20	GU98820445	Screw	2	
21	GU91180817	Spacer	2	
22	GU27441110	Spring	2	
23	GU92630108	Nut	2	
24	GU28252060	Bush 18 mm est.	4	
25	GU99105118	Pin	2	
26	GU92630110	Nut M10X1,5	2	
27	GU12433000	Drift	2	
28	GU13432640	Rubber pedal	1	

Assembly	FRAME
Code	33.18
Description	Brake caliper
Revision	1



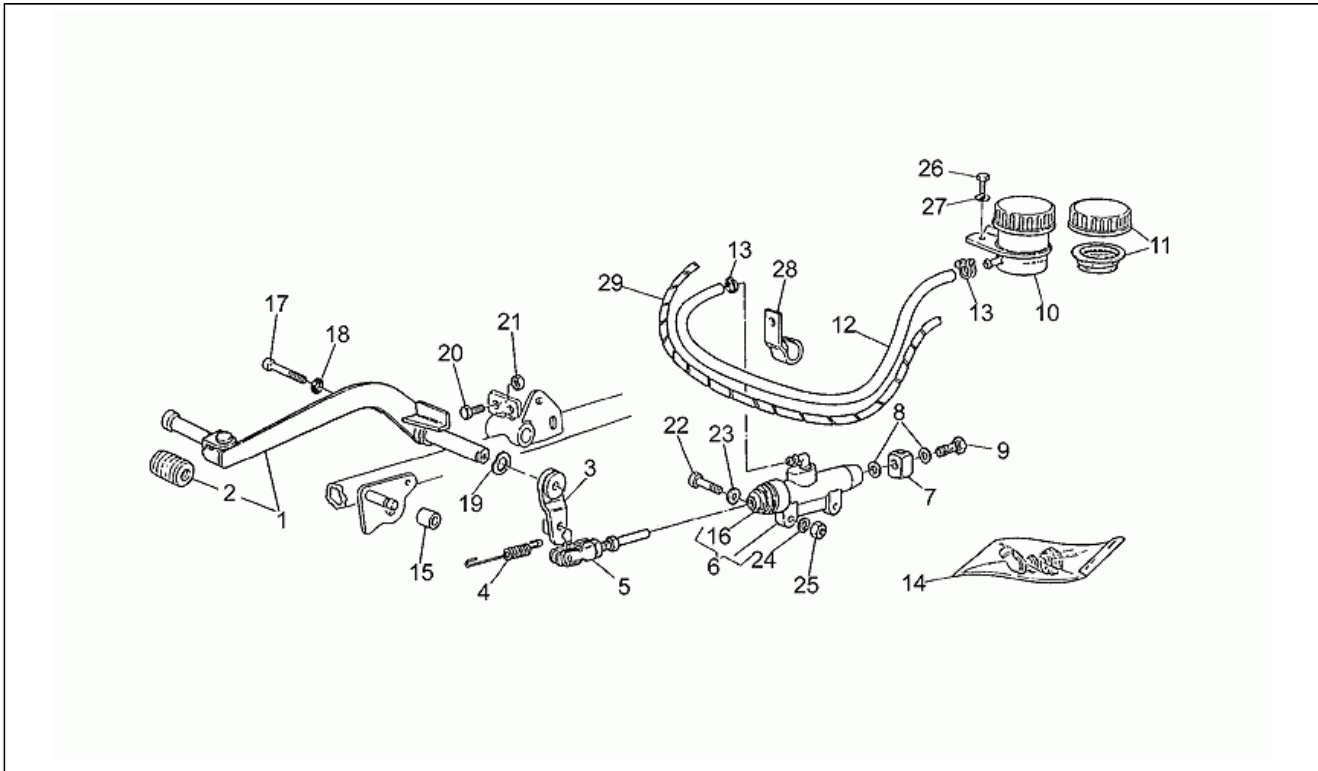
Pos.	Code	Description	Q.ty	Variants
1	GU23653011	Rear brake caliper	1	
2	GU31654660	Pads pair	1	
3	GU27635811	Brake hanger plate	1	
4	GU31634230	Bush	1	
5	GU31634130	Spacer	1	
6	GU27657110	Rear brake hose	1	
7	GU95990028	Oil pipe screw *	2	
8	GU25656100	Gasket	4	
9	GU98612425	Screw	2	
10	GU61270300	Spring washer 8x15x0,3	2	
11	GU95100250	Washer 8,5X18X0,5	1	
11	GU95100251	Washer 8,5X18X0,8	1	
12	GU31659160	Pins+spring BREMBO	1	
13	GU31659260	Bleeder+cap BREMBO D.10	1	
14	GU92630108	Nut	1	
15	GU19718000	Hose clamp	1	
16	GU17658460	Hose clamp	1	
17	GU17658260	Ring	1	
18	GU98230612	Screw	1	
19	GU95000206	Washer	1	

Assembly	FRAME
Code	33.19
Description	Front master cilinder
Revision	1



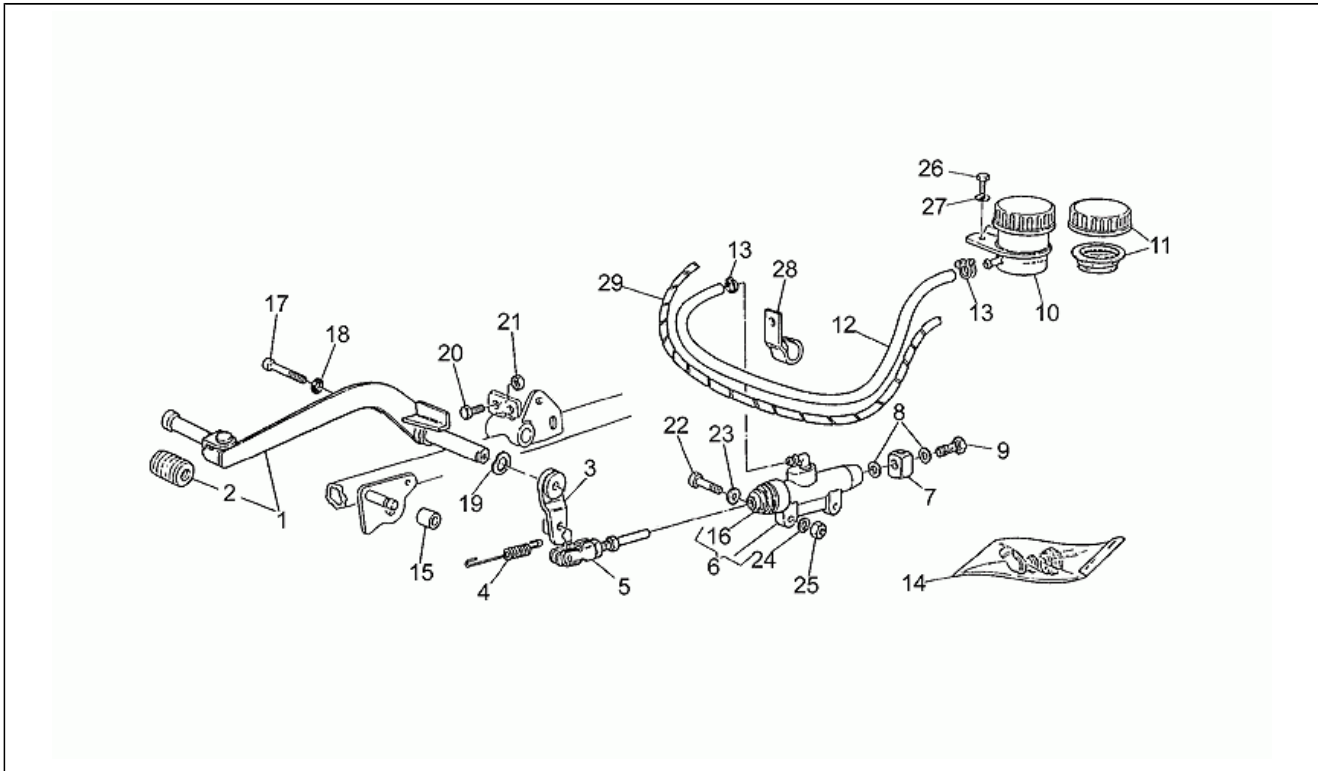
Pos.	Code	Description	Q.ty	Variants
1	GU27660115	Front master cilinder	1	
3	GU27661115	Pump cover	1	
4	GU27605615	Brake lever	1	
5	GU27604815	Pin	1	
6	GU27664075	Bracket	1	
7	GU27749815	Brake light switch	1	
8	GU92295708	Ball	1	
9	GU98200214	Screw	2	
10	GU27658575	Front brake hose	1	
11	GU95990028	Oil pipe screw *	1	
12	GU25656100	Gasket	2	
13	GU27652350	Front brake caliper	1	
14	GU27654650	Pads pair	1	
15	GU98231030	Screw M10X30	2	
16	GU95129180	Washer 10,5X18X0,8	2	
17	GU27659050	Brake caliper rev. kit	1	
18	GU27659150	Pins+Caliper springs	1	
19	GU31659260	Bleeder+cap BREMBO D.10	1	
20	GU27663615	Cap	1	
21	GU95100250	Washer 8,5X18X0,5	1	
21	GU95100251	Washer 8,5X18X0,8	1	
22	GU92608202	Nut	2	

Assembly	FRAME
Code	33.20
Description	Rear master cylinder
Revision	1



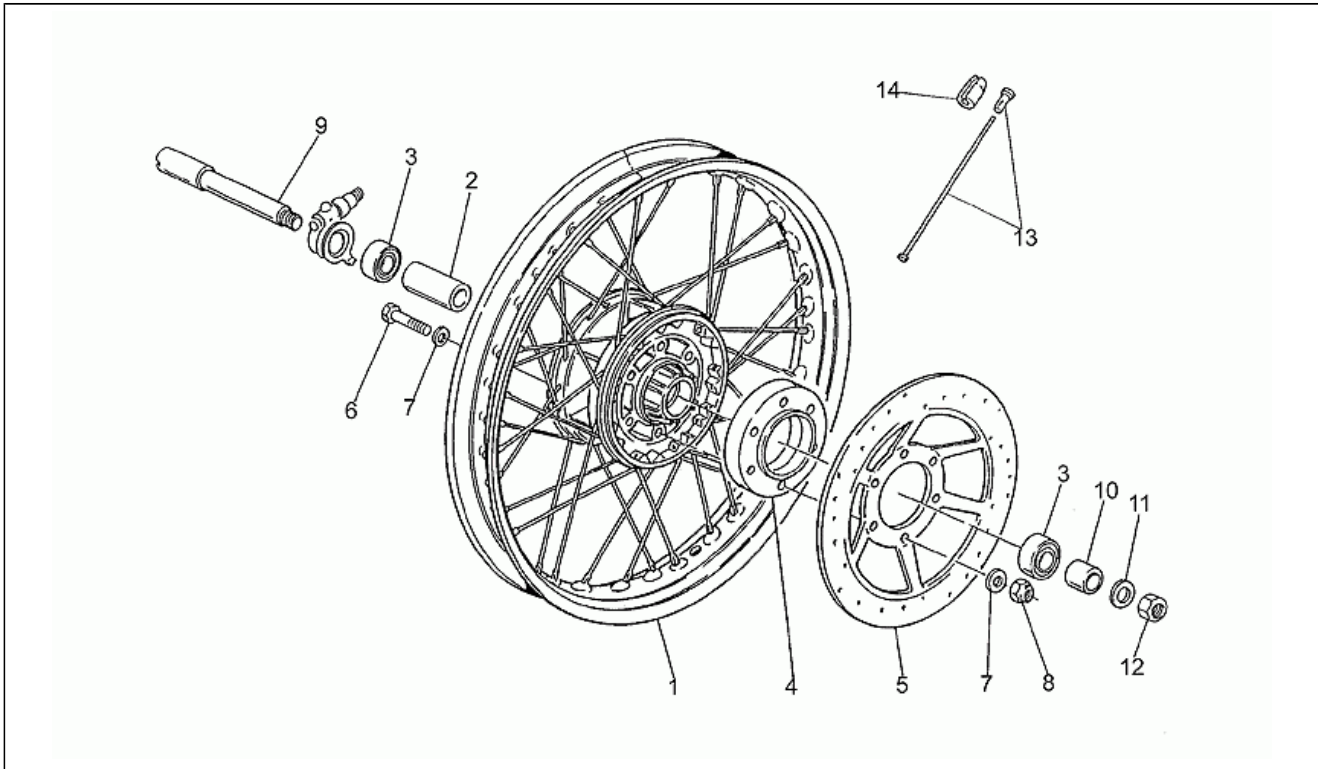
Pos.	Code	Description	Q.ty	Variants
1	GU27677015	Brake lever	1	
2	GU27251015	Rubber spacer	1	
3	GU27667515	Lever	1	
4	GU31667635	Spring	1	
5	GU27675015	Pump rod	1	
6	GU27667015	Rear master cylinder	1	
7	GU27668015	Union	1	
8	GU25656100	Gasket	2	
9	GU95990027	Oil pipe screw	1	
10	GU65663500	Brake oil tank	1	
11	GU17661052	Tank cap	1	
12	GU00823950050	Oil pipe	1	
13	GU19157800	Hose clamp	2	
14	GU27659515	Rear brake pump union	1	
15	GU91181114	Spacer	1	
16	GU27530593	Guard	1	
17	GU98620345	Screw M6X45	1	
18	GU14217901	Washer 6,4x10x0,7	1	
19	GU95129260	Spring washer	1	
20	GU98074320	Screw	1	
21	GU92601206	Nut	1	
22	GU98072330	Screw	2	
23	GU95000206	Washer	2	
24	GU95021106	Notched washer	2	
25	GU92601206	Nut	2	
26	GU98054214	Screw	2	
27	GU95100059	Washer 5,25x14x1,5	2	
28	GU19718000	Hose clamp	1	

Assembly	FRAME
Code	33.20
Description	Rear master cylinder
Revision	1



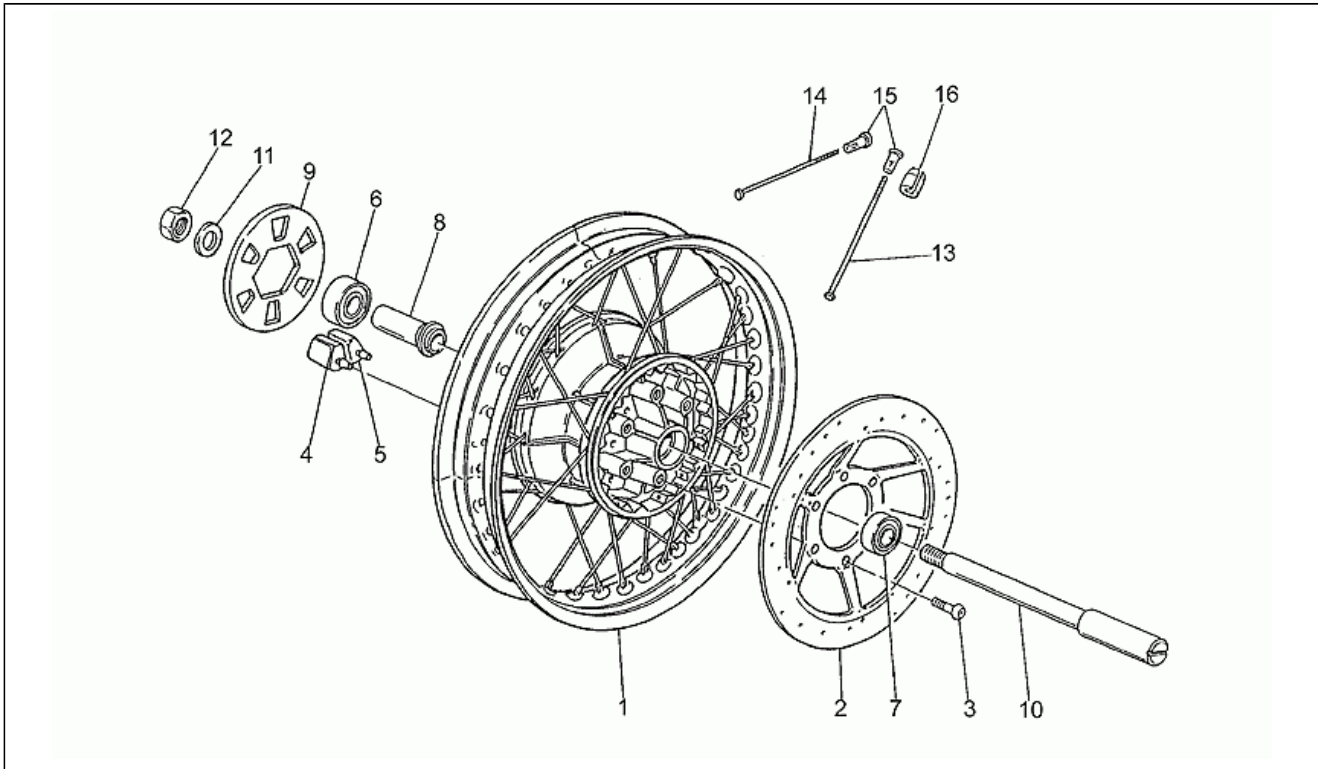
Pos.	Code	Description	Q.ty	Variants
29	GU23093300	Protection collar	1	

Assembly	FRAME
Code	33.21
Description	Front wheel
Revision	1



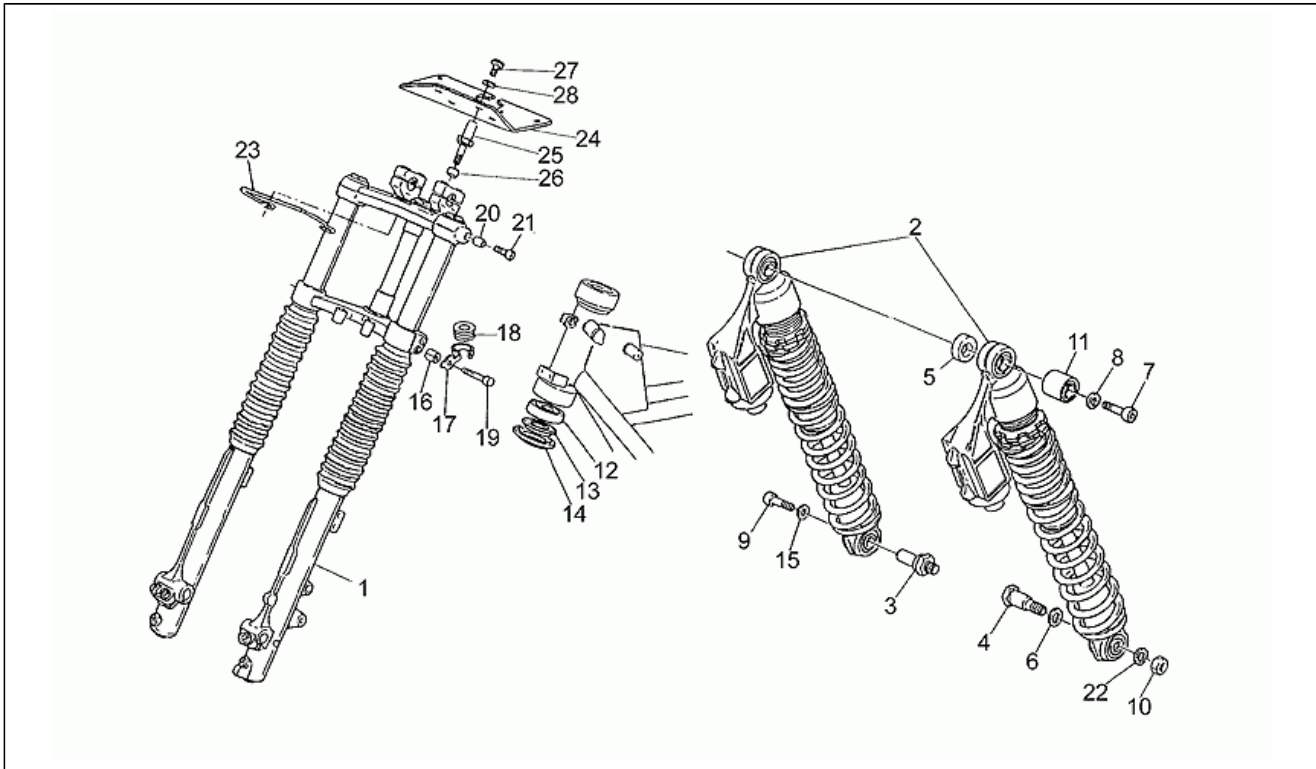
Pos.	Code	Description	Q.ty	Variants
1	GU23610370	Front wheel	1	
2	GU19615235	Spacer	1	
3	GU92204217	Bearing	2	
4	GU27611210	Flange	1	
5	GU31613335	Brake disc	1	
6	GU98052470	Screw	6	
7	GU95004208	Washer	12	
8	GU92630108	Nut	6	
9	GU31614130	Front wheel spindle	1	
10	GU27616310	Spacer	1	
11	GU95004217	Washer 17X27X2	1	
12	GU92602316	Nut M6X1,5	1	
13	GU39611601	Spoke	36	
14	GU27616110	Counterweight 10 gr.	1	
14	GU27616111	Counterweight 15 gr.	1	
14	GU27616112	Counterweight 20 gr.	1	
14	GU27616113	Counterweight 30 gr.	1	

Assembly	FRAME
Code	33.22
Description	Rear wheel
Revision	1



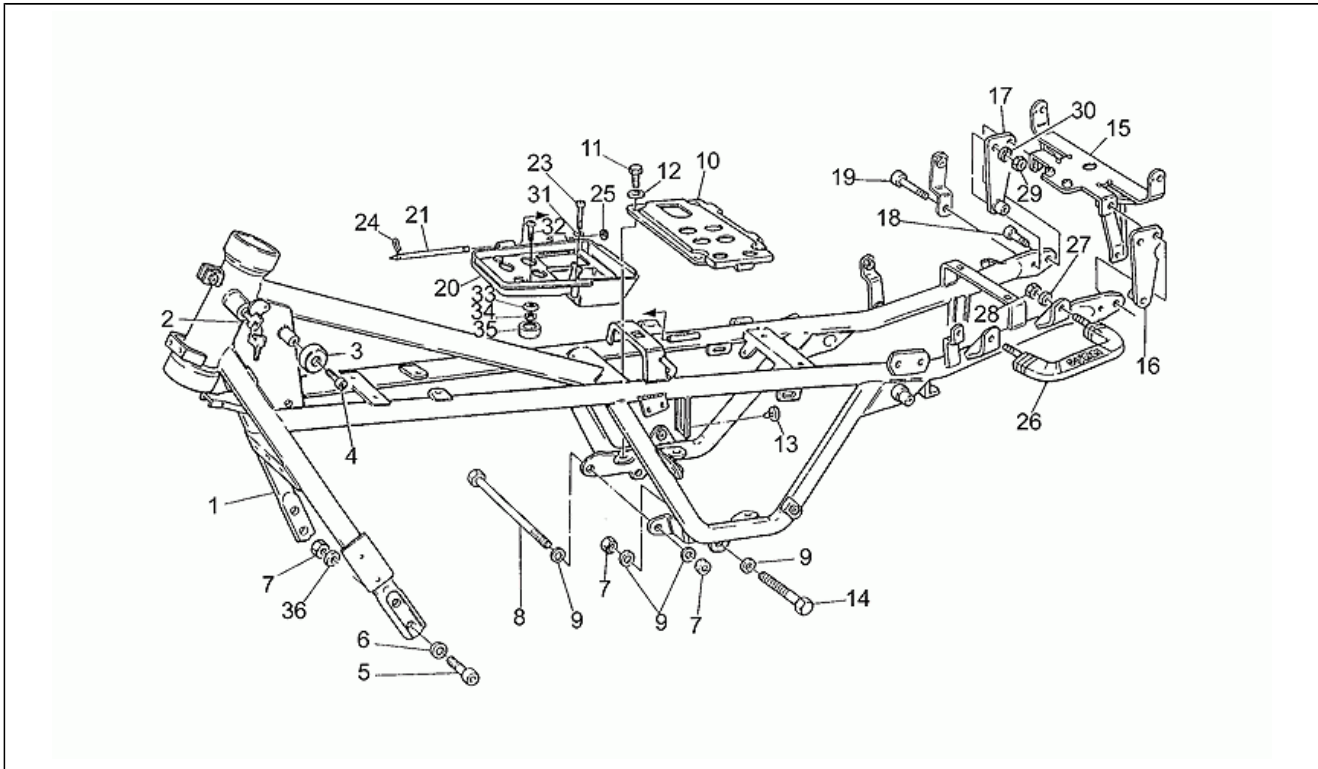
Pos.	Code	Description	Q.ty	Variants
1	GU23630370	Rear wheel	1	
2	GU31613335	Brake disc	1	
3	GU98230825	Screw	6	
4	GU19632501	RH rubber coupling	6	
5	GU19632502	LH rubber coupling	6	
6	GU92204218	Bearing	1	
7	GU92204217	Bearing	1	
8	GU27633910	Spacer	1	
9	GU27356910	Spacer	1	
10	GU31633330	Rear wheel spindle	1	
11	GU14634400	Washer	1	
12	GU92602316	Nut M6X1,5	1	
13	GU23631470	Long spoke	18	
14	GU23631170	Short spoke	18	
15	GU27631250	Nipples	36	
16	GU27616110	Counterweight 10 gr.	1	
16	GU27616111	Counterweight 15 gr.	1	
16	GU27616112	Counterweight 20 gr.	1	
16	GU27616113	Counterweight 30 gr.	1	

Assembly	FRAME
Code	33.23
Description	Front/rear shock absorber
Revision	1



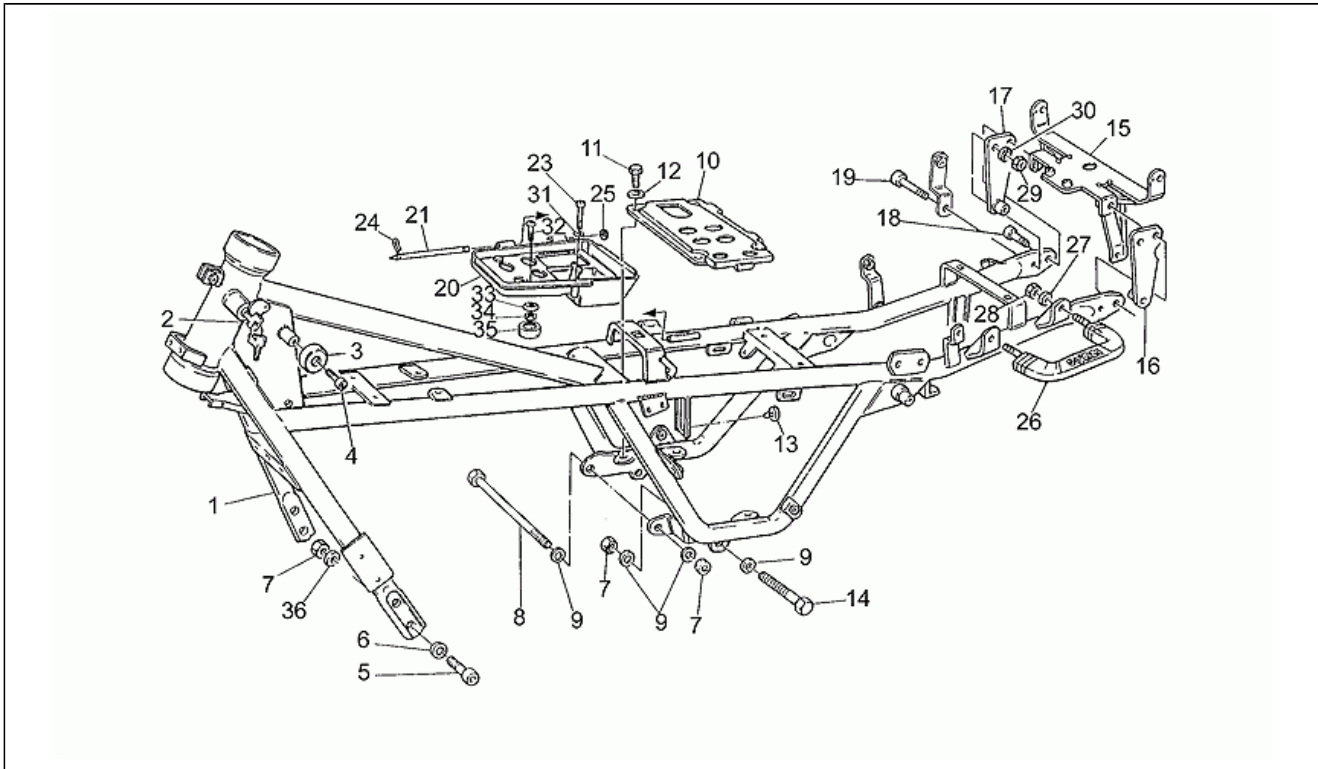
Pos.	Code	Description	Q.ty	Variants
1	GU31490236	Front fork	1	
2	GU31999236	Shock absorber-pair	2	
3	GU23555281	Pin	1	
4	GU23555280	Pin	1	
5	GU91181407	Spacer	2	
6	GU95007210	Washer	1	
7	GU98832420	Screw	2	
8	GU95007208	Washer	2	
9	GU98812416	Screw	1	
10	GU92602411	Nut	1	
11	GU27530532	Silent-block	4	
12	GU92249225	Tap.roller bearing	2	
13	GU14516700	Clearance washer	2	
14	GU14517000	Dust cover	2	
15	GU95100256	Washer	1	
16	GU27504915	Spacer	1	
17	GU27658415	Cable-guide	2	
18	GU27658215	Ring	2	
19	GU98620335	Screw M6X35	1	
20	GU91180802	Spacer	1	
21	GU98620440	Screw M8X40	1	
22	GU95021110	Notched washer	1	
23	GU31658330	Fairlead	1	
24	GU31502335	Plate	1	
25	GU28500745	Stud bolt	4	
26	GU28462645	Spacer	4	
27	GU98230822	Top screw	4	
28	GU14615901	Washer 8,4X13X0,8	4	

Assembly	FRAME
Code	33.24
Description	Frame
Revision	1



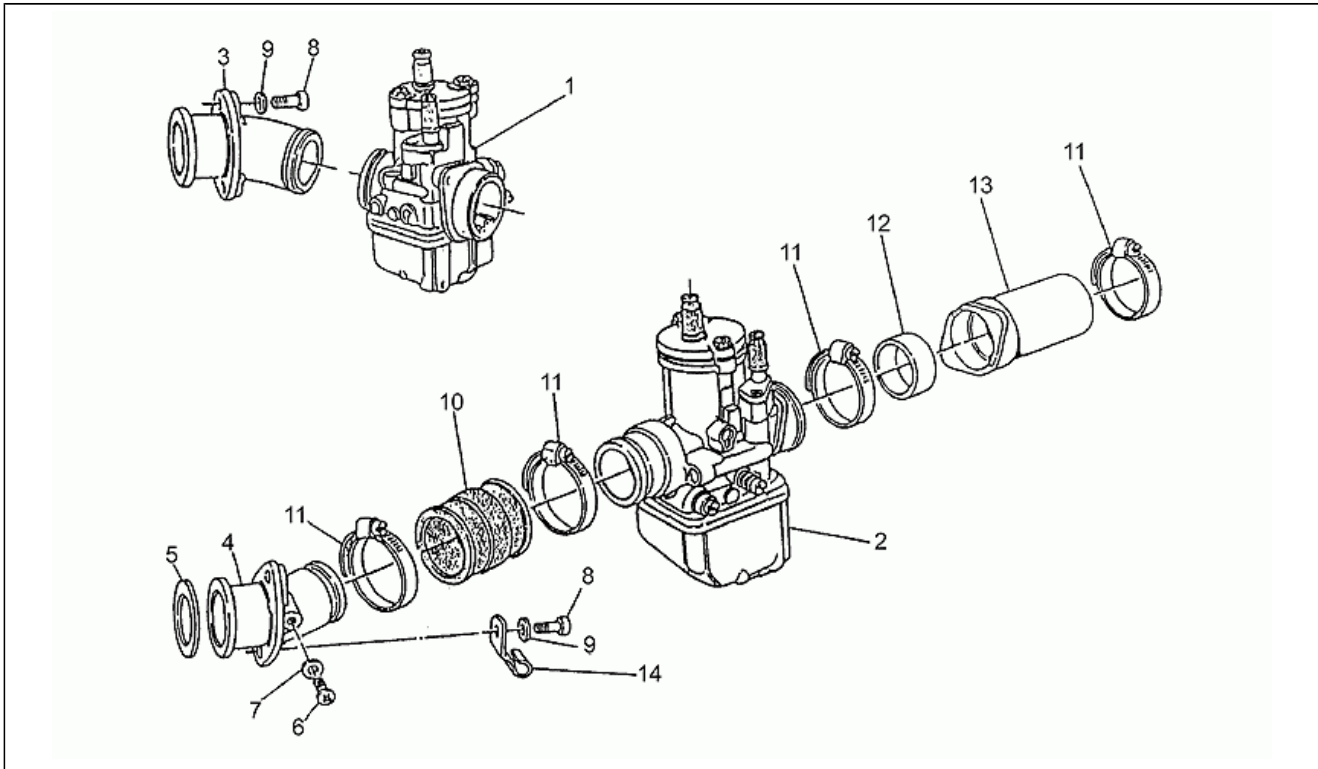
Pos.	Code	Description	Q.ty	Variants
1	GU31400136	Frame	1	
2	GU19782520	Lock	1	
3	GU66103415	Rubber spacer	2	
4	GU98622420	Screw	2	
5	GU98612525	Screw	2	
6	GU95120105	Washer	4	
7	GU92601210	Nut	7	
8	GU98110202	Screw	1	
9	GU95007210	Washer	6	
10	GU27418215	Plate	1	
11	GU98054416	Hex screw M8X16	4	
12	GU95000208	Washer	4	
13	GU19705900	Drift	2	
14	GU98072555	Hex screw M10X55	2	
15	GU31463635	Plate	1	
16	GU31439335	Plate	1	
17	GU31439235	Plate	1	
18	GU98620435	Screw M8X35	2	
19	GU98620450	Screw	2	
20	GU31479630	Float chamber	1	
21	GU31479430	Pin	1	
23	GU98620125	Screw	1	
24	GU95401218	Split pin	1	
25	GU90280005	Safety washer	1	
26	GU31464330	Battery handle	1	
27	GU95000208	Washer	2	
28	GU92630108	Nut	2	
29	GU92630508	Nut	2	

Assembly	FRAME
Code	33.24
Description	Frame
Revision	1



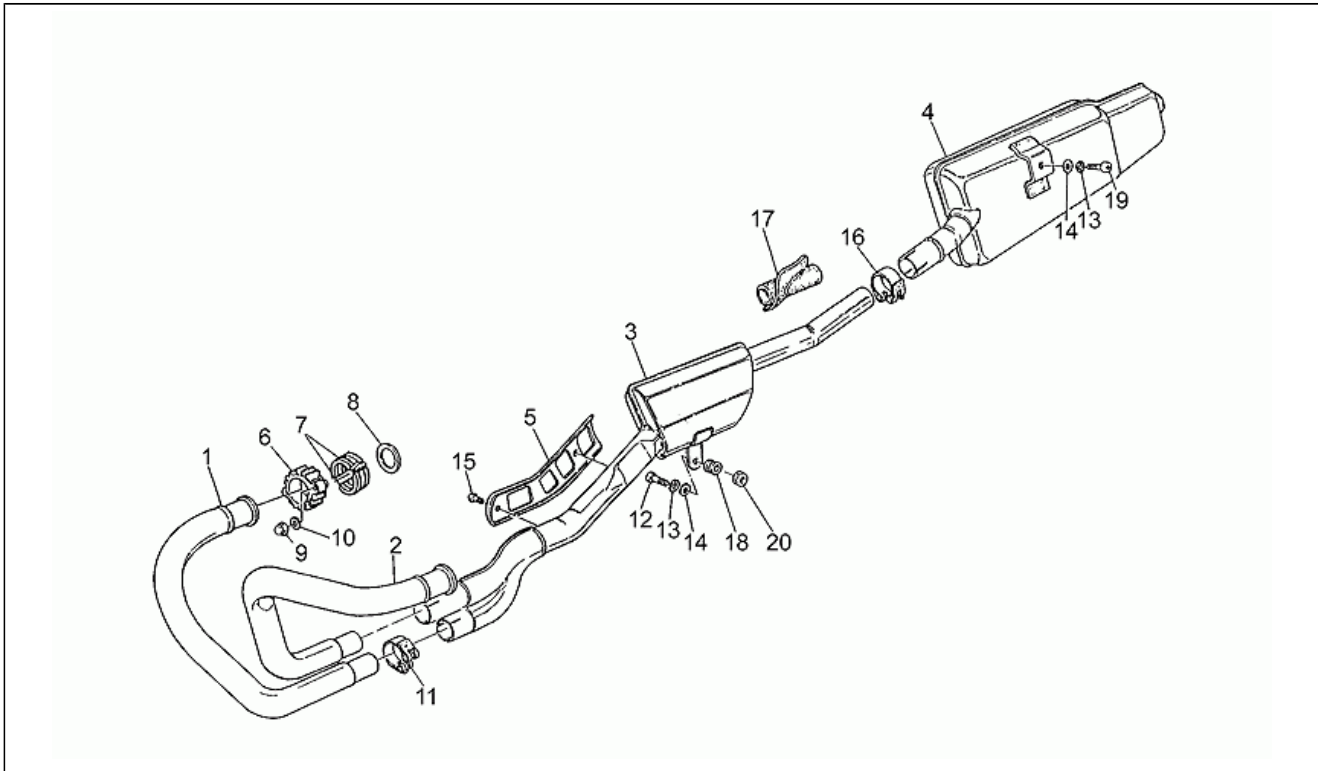
Pos.	Code	Description	Q.ty	Variants
30	GU95004208	Washer	2	
31	GU95000204	Washer	1	
32	GU98230616	Screw	1	
33	GU39103500	Disc	1	
34	GU92630106	Nut M6x1	1	
35	GU39103400	Drift	1	
36	GU95021110	Notched washer	2	

Assembly	FRAME
Code	33.26
Description	Fuel supply
Revision	1



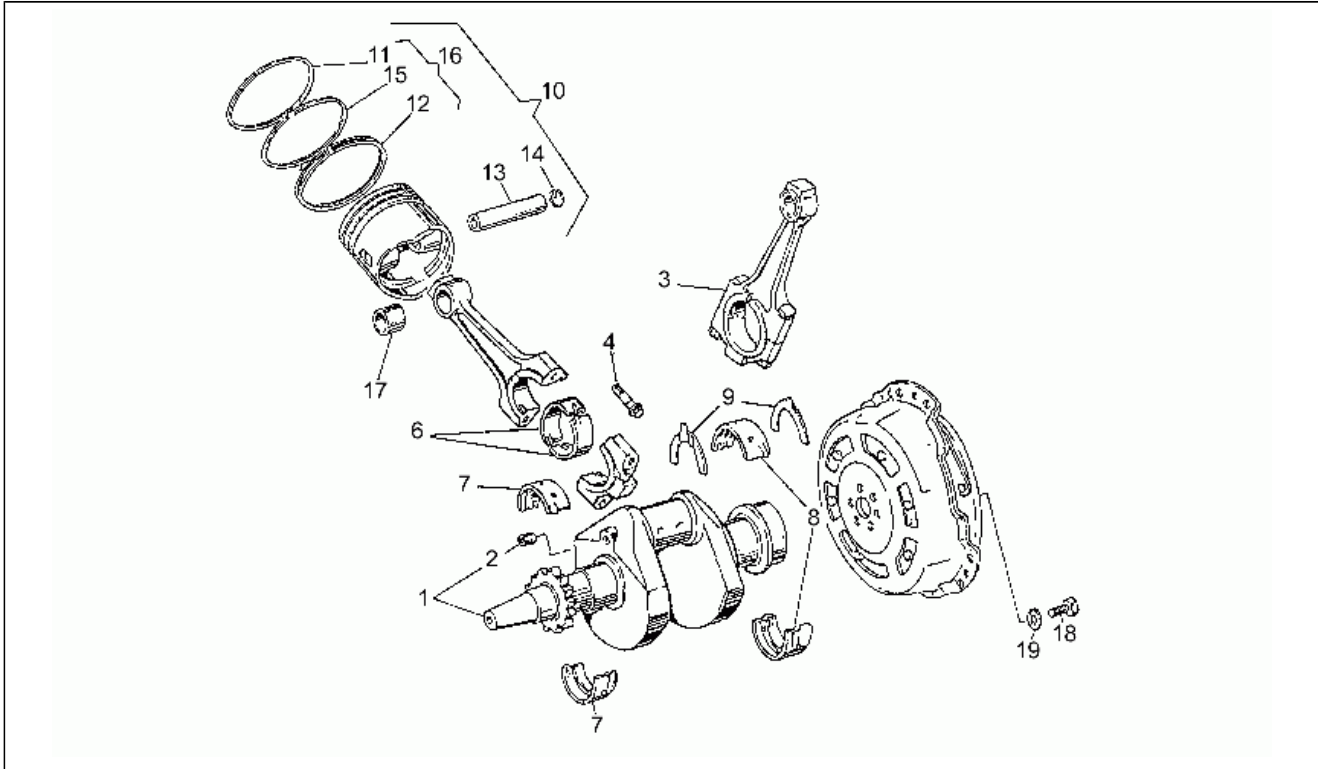
Pos.	Code	Description	Q.ty	Variants
1	GU23112674	Carburettor RH PHBH 30BD	1	
2	GU23112675	Carburettor LH PHBH 30BS	1	
3	GU23115070	RH intake manifold	1	
4	GU23115071	LH intake manifold	1	
5	GU19115580	Gasket	2	
6	GU98310611	Special screw M6X10	2	
7	GU95100116	Washer 6,25x10x1,5	2	
8	GU98812325	Screw	4	
9	GU61013800	Special washer	4	
10	GU19114360	Hose	2	
11	GU93305032	Hose clamp 32X52X8	8	
12	GU19114680	Gasket ring	2	
13	GU19114460	Air intake hose	2	
14	GU19718000	Hose clamp	2	

Assembly	FRAME
Code	33.34
Description	Exhaust unit
Revision	1



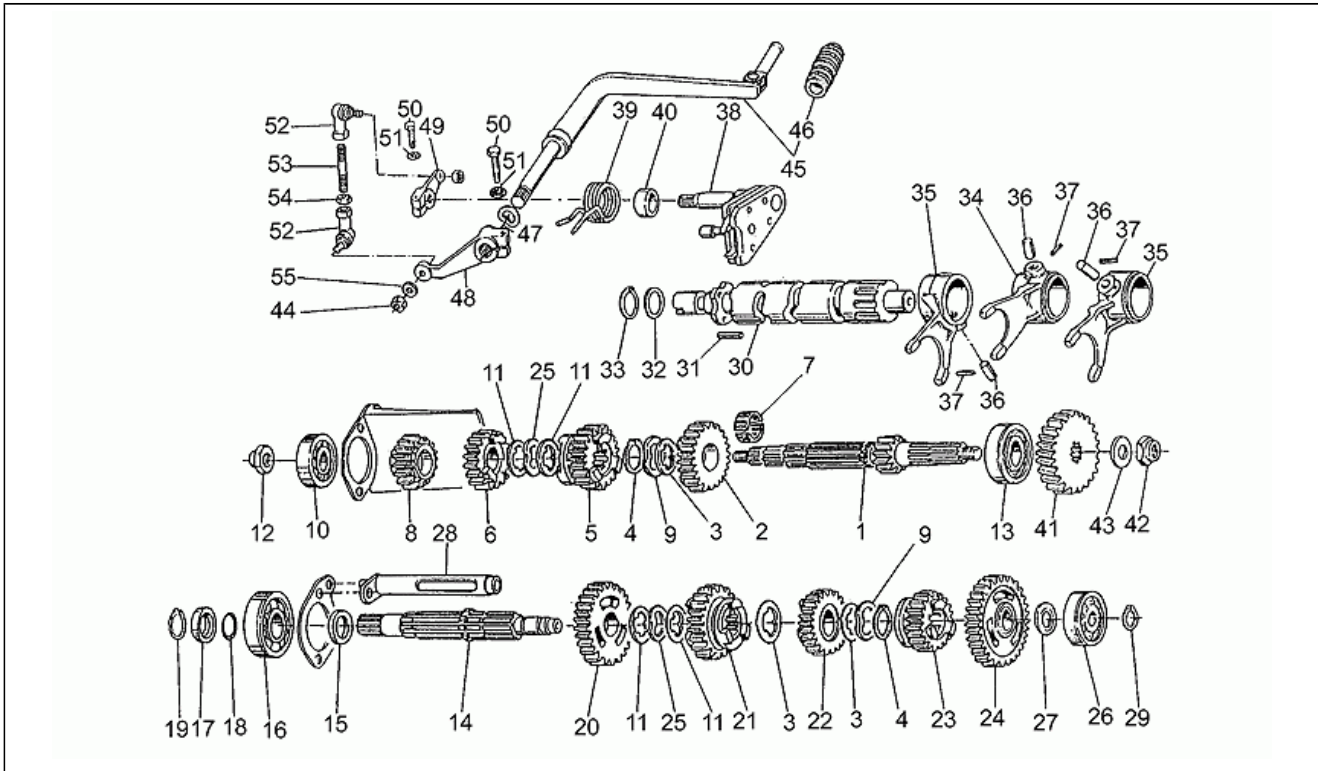
Pos.	Code	Description	Q.ty	Variants
1	GU31120730	RH exhaust pipe	1	
2	GU31120731	LH exhaust pipe	1	
3	GU27123915	Expansion chamber	1	
4	GU27122915	Silencer	1	
5	GU27121915	Exhaust pipes cover	1	
6	GU61025100	Ring nut	2	
7	GU19025460	Spacer	4	
8	GU19025280	Gasket	2	
9	GU92781082	Cap nut	4	
10	GU61013800	Special washer	4	
11	GU27126915	Hose clamp	2	
12	GU98074320	Screw	1	
13	GU95000206	Washer	2	
14	GU95021106	Notched washer	2	
15	GU98290608	Screw	2	
16	GU27123415	Hose clamp	1	
17	GU27126615	Rubber spacer	1	
18	GU27128115	Rubber spacer	1	
19	GU98074316	Screw	1	
20	GU92601206	Nut	2	

Assembly	ENGINE
Code	34.25
Description	Drive shaft
Revision	1



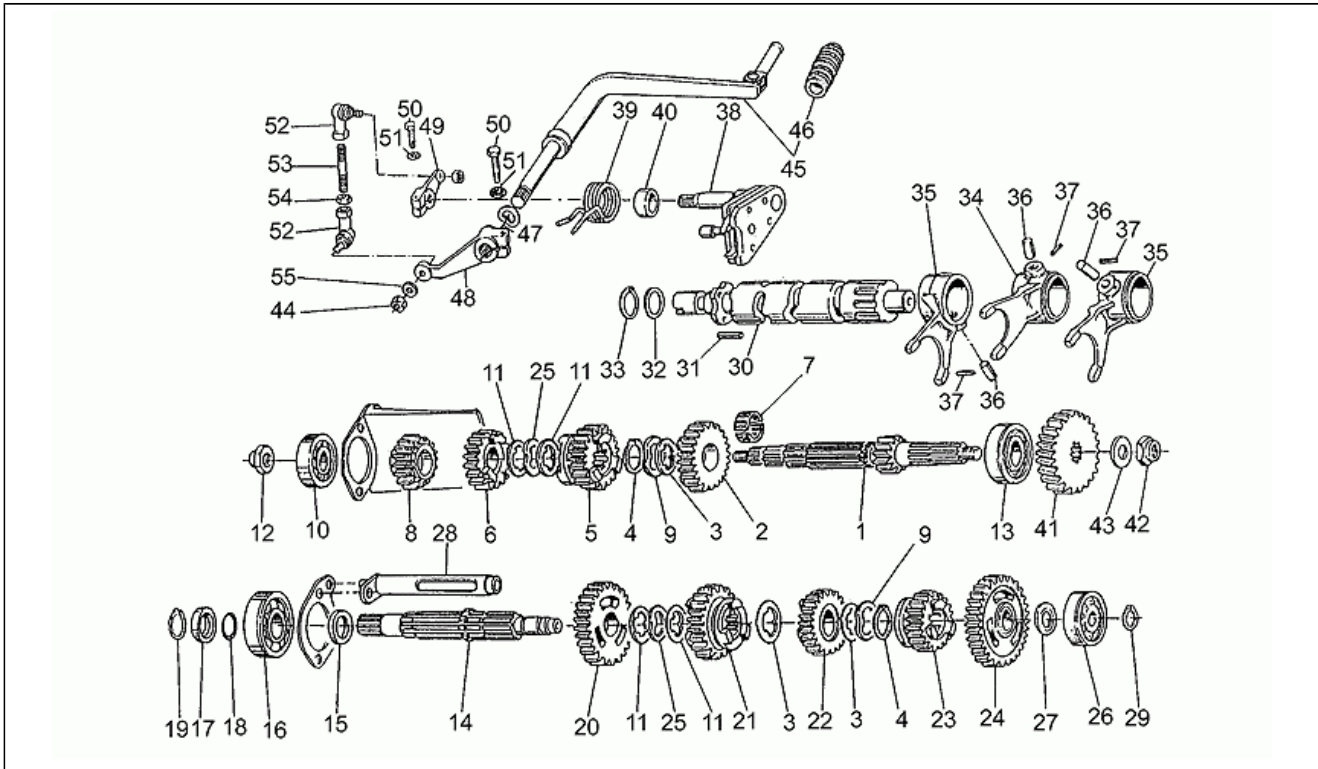
Pos.	Code	Description	Q.ty	Variants
1	GU27064185	Crankshaft cpl.	1	
2	GU19065400	Plug	1	
3	GU27061585	Connecting rod cpl.	2	
4	GU19062261	Screw	4	
6	GU27062060	Bearing half-shell	4	
7	GU27065660	Front main half-bearing	2	
8	GU27066560	Rear main half-bearing	2	
9	GU27066460	Half-clamp	2	
10	GU20060220	Piston assy	2	Technical Specifications: See spare parts comm.n.008 of 2000[00800N]
11	GU19060763	Slot piston ring	2	
12	GU19061063	Scraper ring	2	
13	GU27061285	Piston pin	2	
14	GU27061385	Stop ring	4	
15	GU27060860	Slot piston ring	2	
16	GU31060616	Pistonring set	2	
17	GU27061885	Bush	2	
18	GU19067700	Screw	6	
19	GU14615901	Washer 8,4X13X0,8	6	

Assembly	ENGINE
Code	34.27
Description	Gear box
Revision	1



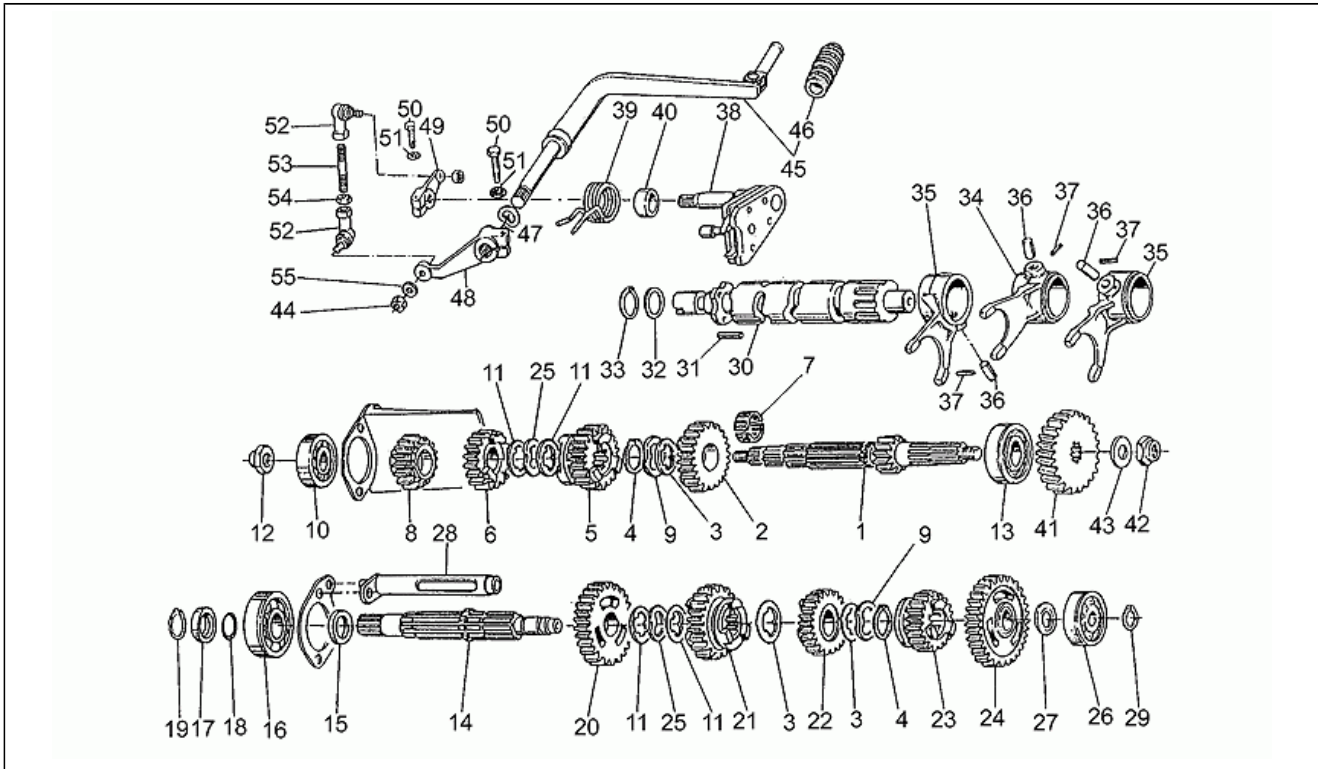
Pos.	Code	Description	Q.ty	Variants
1	GU23210570	Primary gear shaft Z=11	1	
2	GU23212070	Gear 5a AP Z=20	1	
3	GU19215460	Thrust washer	3	
4	GU90271127	Circlip	2	
5	GU19211861	Gear 4a AP Z=18	1	
6	GU19211460	Gear 3a AP Z=18	1	
7	GU92251023	Roller cage	1	
8	GU19211361	Gear 2a AP Z=14	1	
9	GU19218062	Washer	2	
10	GU92218417	Bearing AP 17x40x17,5	1	
11	GU19214660	Clearance washer	4	
12	GU10054100	Nut	1	
13	GU92230320	Bearing AP 20x37x17	1	
14	GU19213661	Driven shaft	1	
15	GU19212900	Spacer	1	
16	GU92201220	Bearing 20X47X14	1	
17	GU19213720	Spacer	1	
18	GU90706188	Gasket ring 18,77X1,78	1	
19	GU90271121	Circlip	1	
20	GU23214571	Gear 2a AS Z=23	1	
21	GU19214860	Gear 3a AS Z=23	1	
22	GU19215161	Gear 4a AS Z=19	1	
23	GU23215270	Gear 5a AS Z=18	1	
24	GU23214071	Gear 1a AS Z=26	1	
25	GU19218061	Washer	2	
26	GU92234716	Bearing	1	
27	GU10214301	Spacer 1,7 mm	1	
27	GU10214302	Spacer 1,8 mm	1	

Assembly	ENGINE
Code	34.27
Description	Gear box
Revision	1



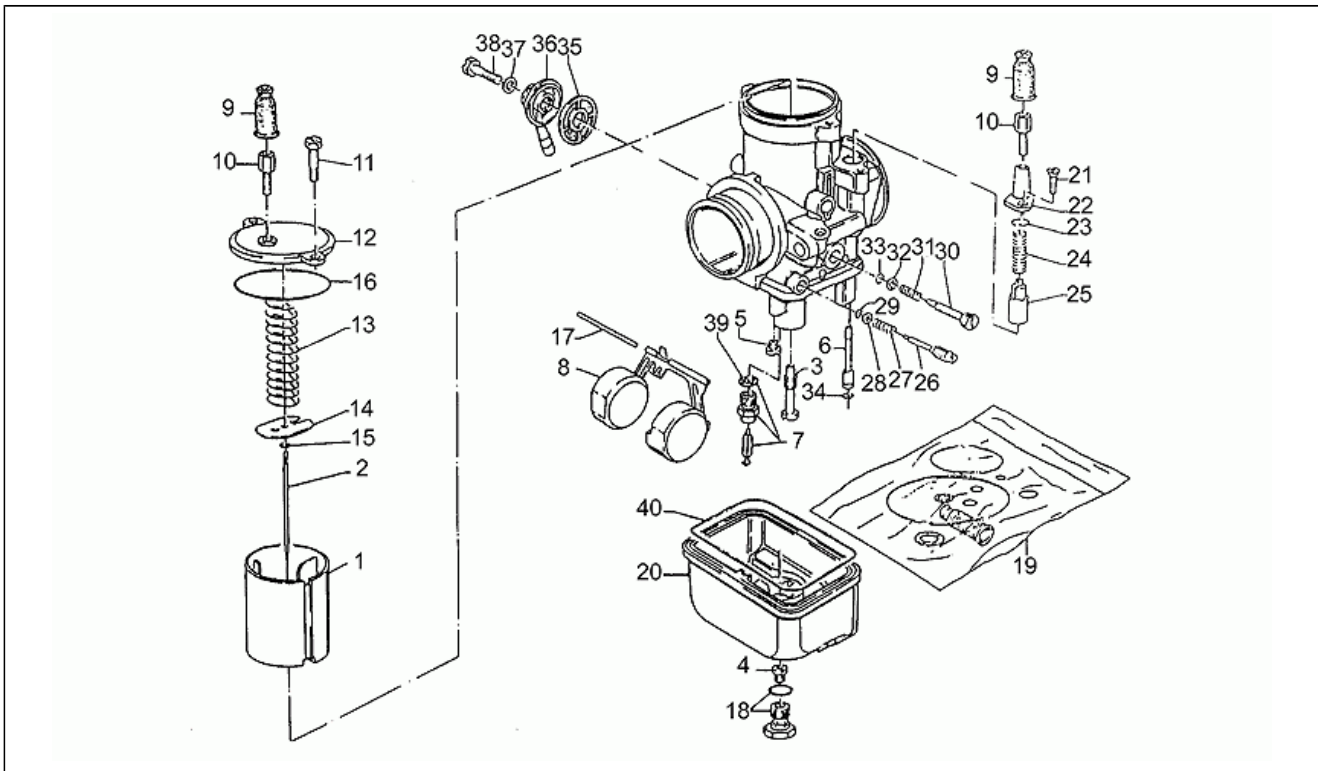
Pos.	Code	Description	Q.ty	Variants
27	GU10214303	Spacer 1,9 mm	1	
27	GU10214304	Washer 2 mm	1	
27	GU10214305	Spacer 2,1 mm	1	
28	GU23202074	Gutter	1	
29	GU90271117	Circlip	1	
30	GU19234420	Shift cam	1	
31	GU19234600	Pin	4	
32	GU19355360	Washer	1	
33	GU90271020	Snap ring	1	
34	GU19231220	Fork AP	1	
35	GU19231020	Fork AS	2	
36	GU92297909	Roller	3	
37	GU95520316	Pin	3	
38	GU20999520	Pre-selector kit	1	Technical Specifications: See spare parts comm.n.013 of 1997[01397N]
39	GU61238200	Spring	1	
40	GU91182010	Bush	1	
41	GU19211160	Gear Z=22	1	
42	GU10054100	Nut	1	
43	GU39238100	Clearance washer	1	
44	GU92630106	Nut M6x1	2	
45	GU27250815	Gear lever	1	
46	GU27251015	Rubber spacer	1	
47	GU95129260	Spring washer	1	
48	GU19256920	Lever	1	
49	GU19258220	Shift lever	1	
50	GU98072325	Screw	2	
51	GU95021106	Notched washer	2	

Assembly	ENGINE
Code	34.27
Description	Gear box
Revision	1



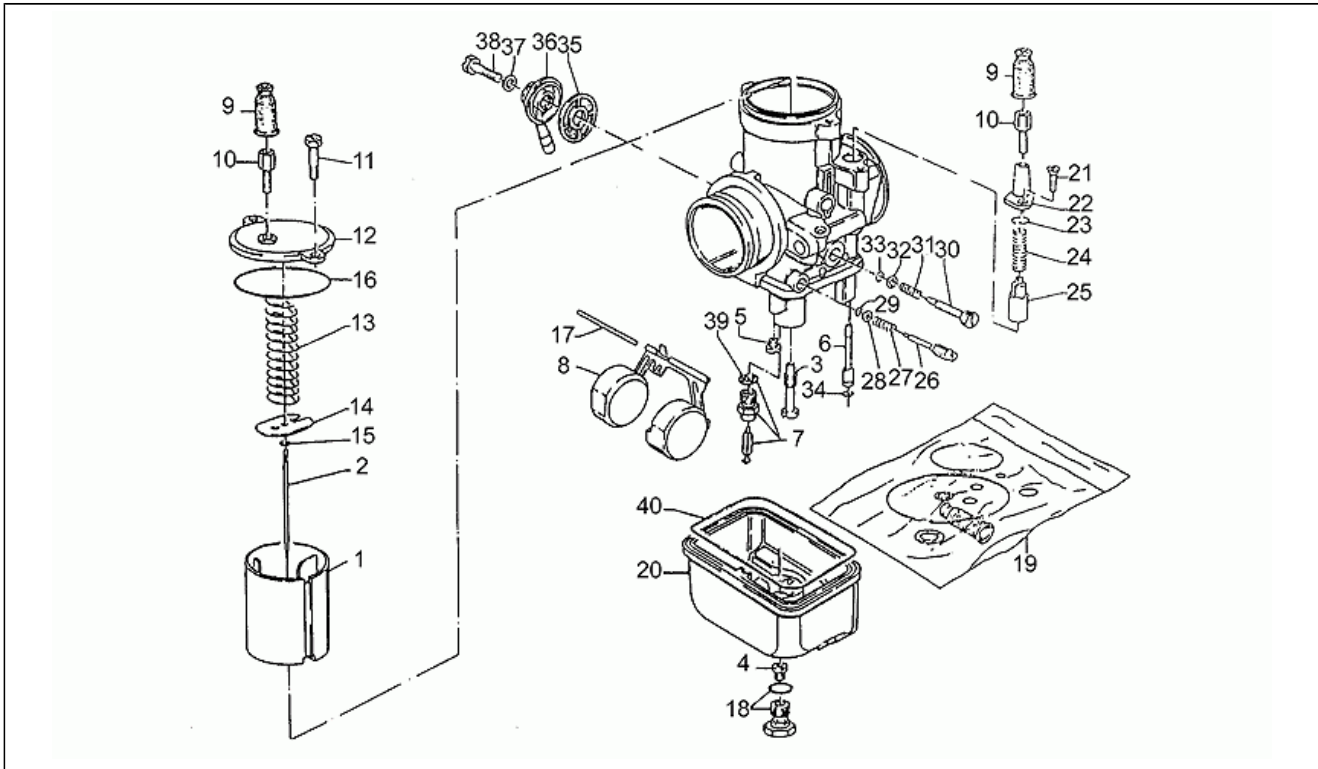
Pos.	Code	Description	Q.ty	Variants
52	GU28258160	Fork	2	
53	GU27257715	Stud bolt	1	
54	GU92602206	Nut	2	
55	GU95000206	Washer	1	

Assembly	ENGINE
Code	34.28
Description	Carburettors
Revision	1



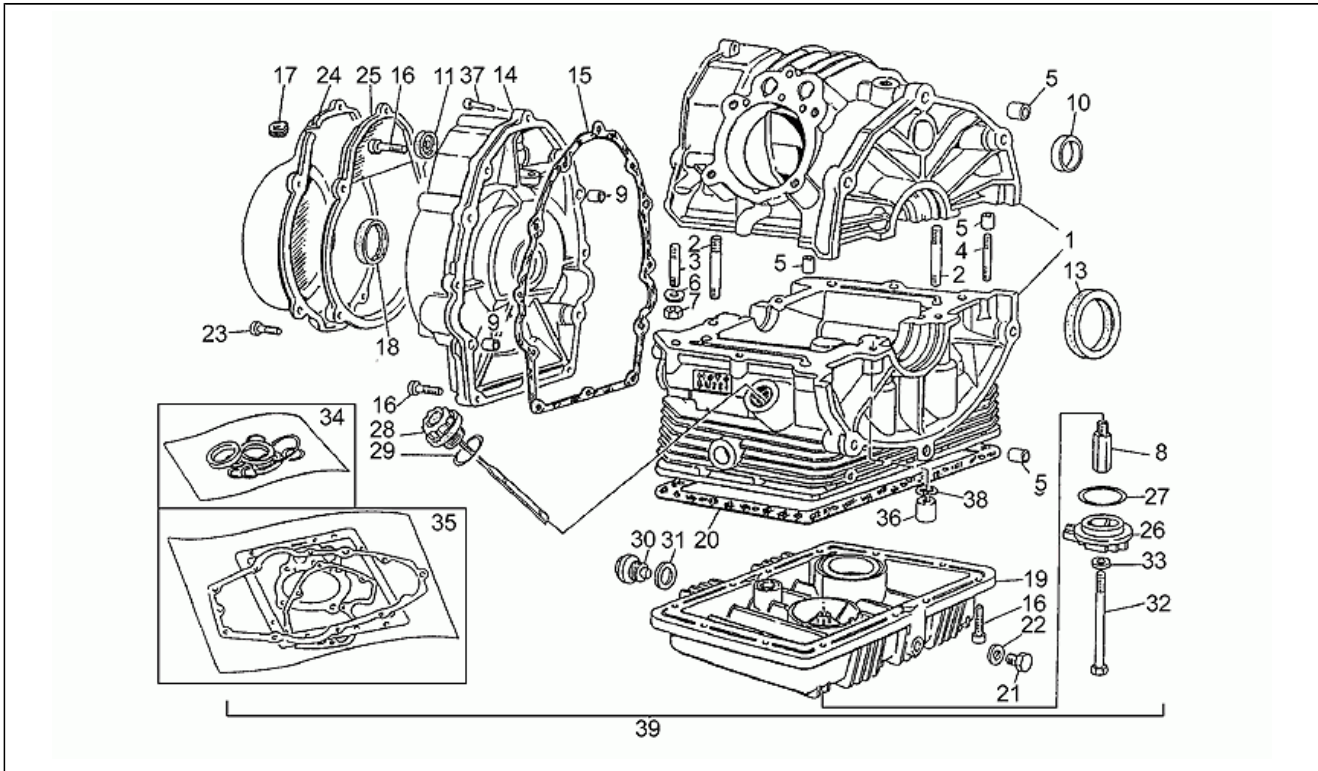
Pos.	Code	Description	Q.ty	Variants
1	GU23934870	Gas valve 45	2	
2	GU19934960	Conical pin 8	2	
3	GU19935580	Needle valve 268T	2	
4	GU19935750	Main jet 105	2	
5	GU27935960	Idle jet 38	2	
6	GU19936000	Starter jet 60	2	
7	GU19934600	Needle valve	2	
8	GU27934315	Float gr.9,5	2	
9	0000000	Tyre 110/90"	4	
10	GU12937200	Wire tensioner screw	4	
11	GU14934650	Screw	2	
12	GU19935080	Cover	2	
13	GU19937180	Gas valve return spring	2	
14	GU19938580	Plate	2	
15	GU65933600	Conical pin clip	2	
16	0000000	Tyre 110/90"	2	
17	GU13933100	Float pin	2	
18	GU27933720	Float chamber fix.plug	2	
19	GU19939980	Gaskets set	1	
20	GU19934480	Aluminium float chamber	2	
20	GU31934460	Float chamber plastica	2	Technical Specifications: See spare parts comm.n.033 of 1999[03399N]
21	GU13937900	Screw	2	
22	GU17937450	Starter device cover	2	
23	0000000	Tyre 110/90"	2	
24	GU39937600	Valve spring	2	
25	GU13937800	Starter valve	2	
26	GU13936200	Adj.min.eng.speed screw	2	

Assembly	ENGINE
Code	34.28
Description	Carburettors
Revision	1



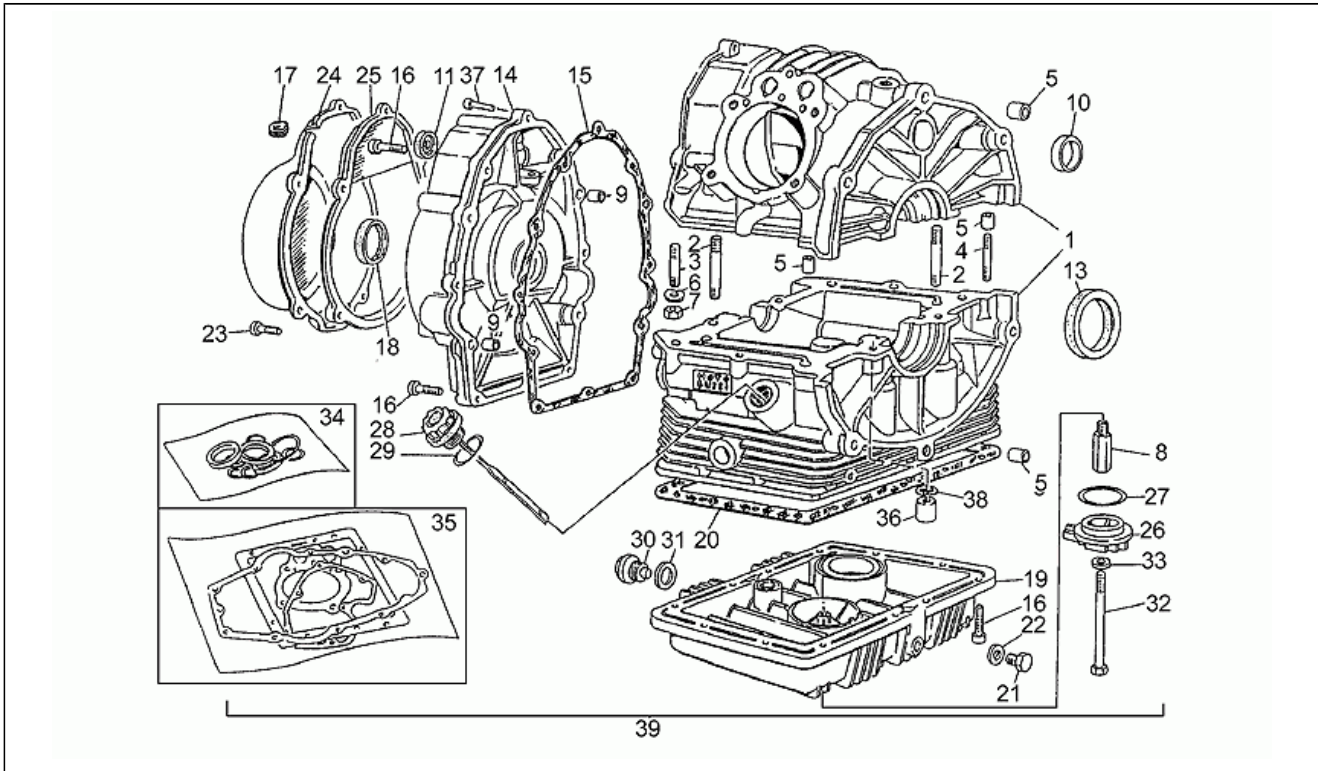
Pos.	Code	Description	Q.ty	Variants
27	GU13936300	Spring	2	
28	GU65933700	Flat washer	2	
29	0000000	Tyre 110/90"	2	
30	GU13936600	Gas valve adjuster screw	2	
31	GU13936700	Spring	2	
32	GU14931650	Flat washer	2	
33	0000000	Tyre 110/90"	2	
34	0000000	Tyre 110/90"	2	
35	GU43934000	Fuel filter	2	
36	GU13934600	Fuel pipe union cap	2	
37	GU13934700	Gasket	2	
38	GU10934900	Cap fixing screw	2	
39	0000000	Tyre 110/90"	2	
40	0000000	Tyre 110/90"	2	

Assembly	ENGINE
Code	34.29
Description	Crankcase
Revision	1



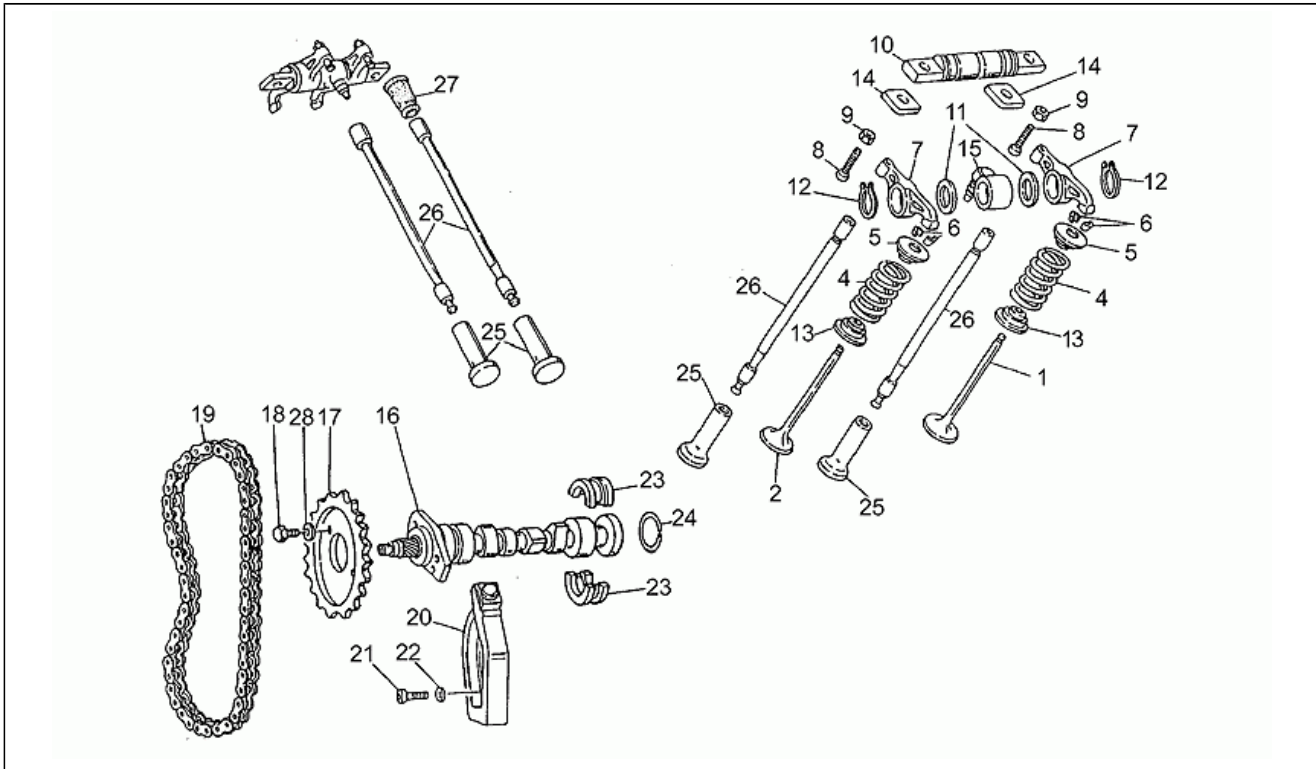
Pos.	Code	Description	Q.ty	Variants
1	GU31000331	Crankcase	1	
2	GU96451560	Stud bolt	4	
3	GU96451430	Stud bolt	4	
4	GU96508055	Stud bolt	2	
5	GU19015020	Bush	4	
6	GU61270300	Spring washer 8x15x0,3	6	
7	GU92601208	Nut	6	
8	GU19003800	Union	1	
9	GU19002020	Bush 6,6x9x13	2	
10	GU19016320	Plug	1	
11	GU90401530	Gasket ring	1	
13	GU90405367	Gasket ring	1	
14	GU31001431	Timing system cover	1	
15	GU19001200	Gasket	1	
16	GU98610325	Screw	22	
17	GU19007700	Rubber spacer	1	
18	GU90402840	Gasket ring 28x38x7	1	
19	GU31003531	Motor oil cup	1	
20	GU19003602	Gasket	1	
21	GU31003766	Oil unload plug M10X1	1	
22	GU10528900	Gasket	1	
23	GU98610335	Hex socket screw M6x18	4	
24	GU27001636	Cover	1	
25	GU27001136	Flange	1	
26	GU31003431	Plug	1	
27	GU90706444	O-ring	1	
28	GU27004985	Oil load plug	1	
29	GU90706282	Gasket ring	1	

Assembly	ENGINE
Code	34.29
Description	Crankcase
Revision	1



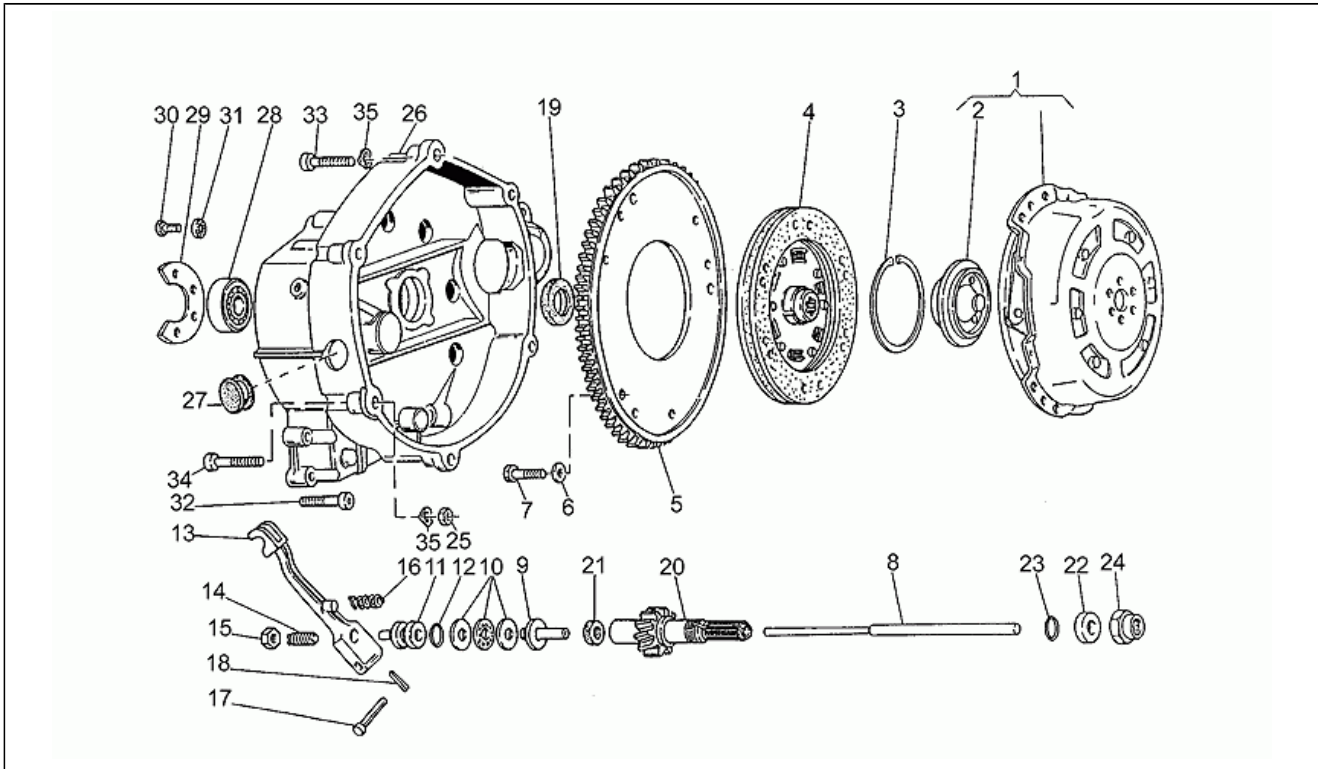
Pos.	Code	Description	Q.ty	Variants
30	GU28004950	Oil filler plug	1	
31	GU95100709	Gasket 20,1x28x2	1	
32	GU27152885	Bolt	1	
33	GU12154200	Gasket 8,25x15x1	1	
34	GU19999580	Oil seals - set	1	
35	GU27999060	Gasket set	1	
36	GU13021900	Column nut	4	
37	GU98610330	Screw M6x30	2	
38	GU95129180	Washer 10,5X18X0,8	4	
39	GU28238261	Spring	1	Technical Specifications: See spare parts comm.n.013 of 1997[01397N]
39	GU31991030	Engine w/o gearbox	1	
40	GU20208520	Spacer	1	Technical Specifications: See spare parts comm.n.013 of 1997[01397N]

Assembly	ENGINE
Code	34.30
Description	Timing system
Revision	1



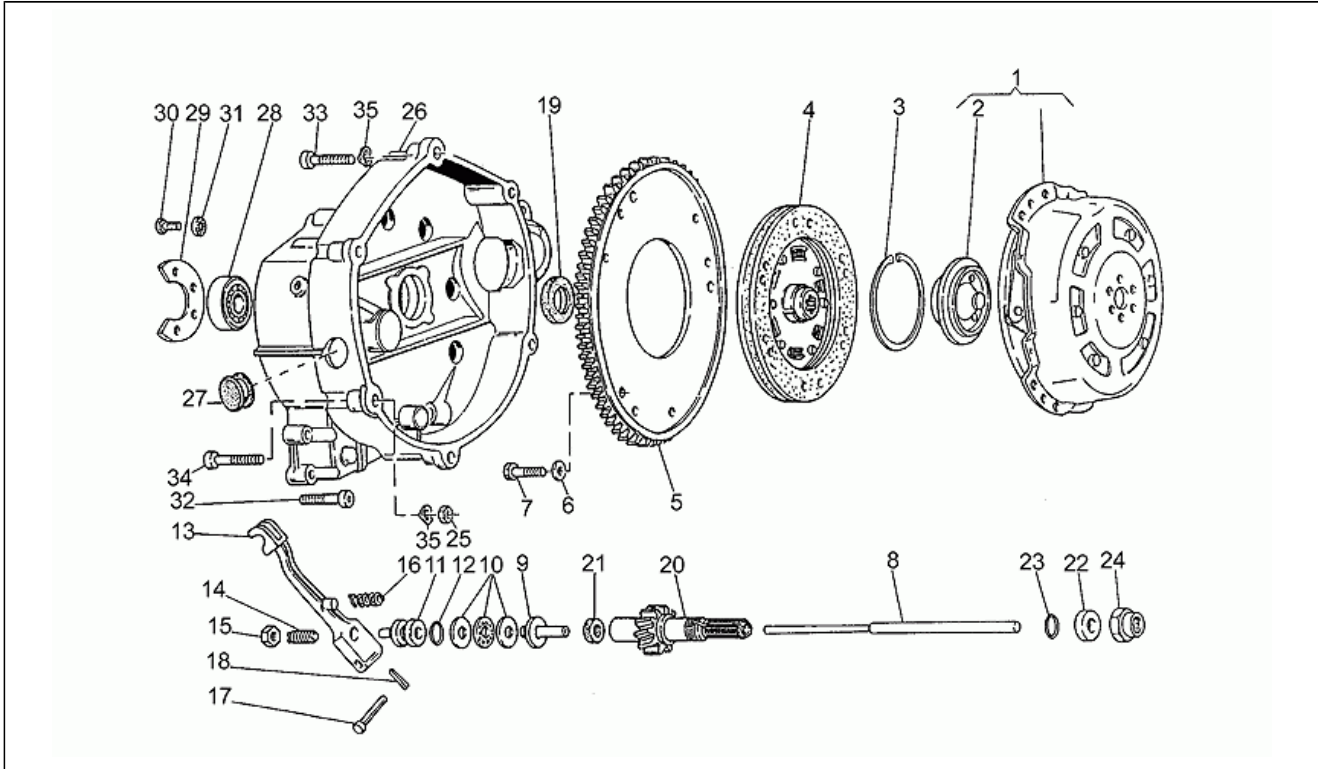
Pos.	Code	Description	Q.ty	Variants
1	GU19036082	Intake valve	2	
2	GU19036183	Exhaust valve	2	
4	GU27037521	Spring	4	
5	GU31038015	Upper cup	4	
6	GU61038100	Half-cone	8	
7	GU19030500	Rocker arm assy.	4	
8	GU19034000	Screw	4	
9	GU92602406	Nut M6x1	4	
10	GU19032080	Rocker shaft	2	
11	GU19032380	Thrust washer	4	
12	GU90271018	Circlip	4	
13	GU31037015	Lower cup	4	
14	GU19032980	Spacer	4	
15	GU19027500	Hose	2	
16	GU27053463	Camshaft	1	
17	GU19054521	Timing system gear	1	
18	GU61054900	Bolt	2	
19	GU19058021	Camshaft chain	1	
20	GU19058220	Chain stretching drive	1	
21	GU98822316	Screw	1	
22	GU95129115	Washer	1	
23	GU19055700	Sector	2	
24	GU90353029	Snap ring	1	
25	GU19045861	Tappet	4	
26	GU31045015	Rocker arm rod	4	
27	GU27045420	Cap	4	
28	GU23217800	Safety washer	2	

Assembly	ENGINE
Code	34.31
Description	Clutch
Revision	1



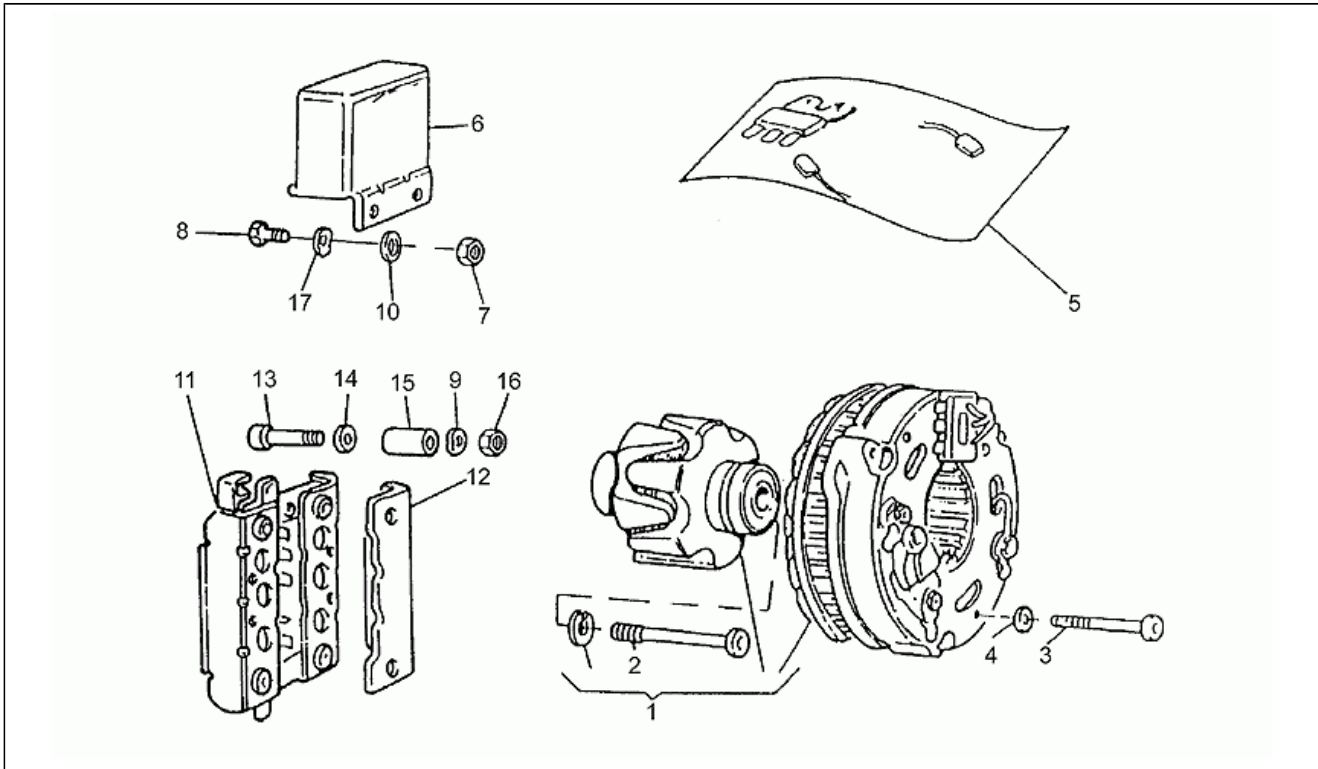
Pos.	Code	Description	Q.ty	Variants
1	GU27080160	Clutch AP	1	
2	GU19083462	New cup type	1	
3	GU90272075	Snap ring	1	
4	GU27084460	Driven clutch disc	1	
5	GU19067900	Chain ring MOTOPLAT	1	
6	GU14217901	Washer 6,4x10x0,7	6	
7	GU98054316	Hex screw M6X16	6	
8	GU20085720	Rod	1	
9	GU14086000	Inner body	1	
10	GU12087001	Thrust bearing	1	
11	GU14086100	Outer body	1	
12	GU90706170	O-ring 17,13x2,62	1	
13	GU14090201	Clutch release shaft	1	
14	GU14090400	Adjuster screw	1	
15	GU92602508	Nut M8X1	1	
16	GU94321105	Lever return spring	1	
17	GU95780271	Pin 7x39	1	
18	GU95500222	Split pin	1	
19	GU90403245	Gasket ring	1	
20	GU19210760	Transmission shaft Z=15	1	
21	GU90400616	Gasket ring 6x16x7	1	
22	GU19213760	Spacer	1	
23	GU90706235	O-ring 23,52x1,78	1	
24	GU19356760	Nut	1	
25	GU92602208	Nut M8X1,25	1	
26	GU23200472	Clutch drum	1	
27	GU93180220	Plug	1	
28	GU92201225	Bearing 25x52x15	1	

Assembly	ENGINE
Code	34.31
Description	Clutch
Revision	1



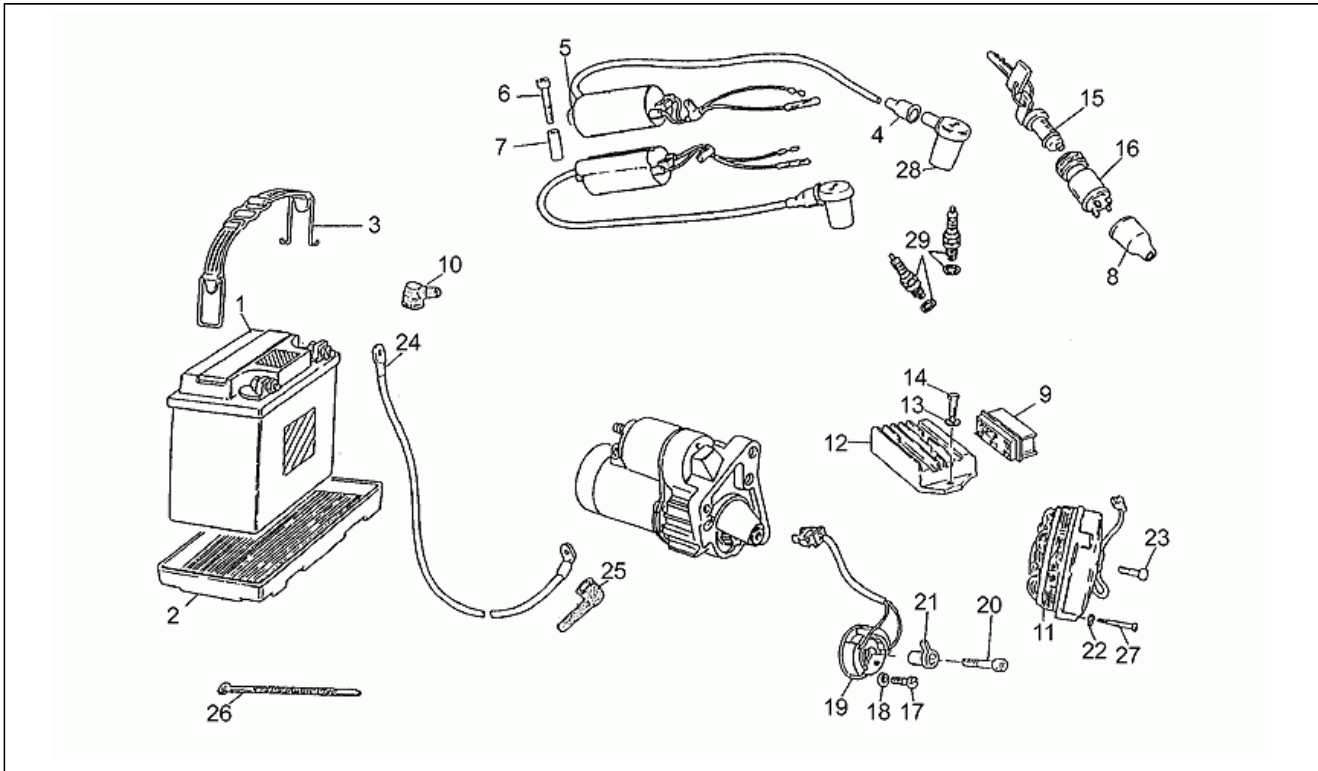
Pos.	Code	Description	Q.ty	Variants
29	GU19203460	Bearing fixing plate	1	
30	GU98054314	Screw	3	
31	GU14217901	Washer 6,4x10x0,7	3	
32	GU98610330	Screw M6x30	11	
33	GU98610435	Screw	5	
34	GU98610450	Screw	1	
35	GU61270300	Spring washer 8x15x0,3	6	

Assembly	ENGINE
Code	34.32
Description	Bosch alternator
Revision	1



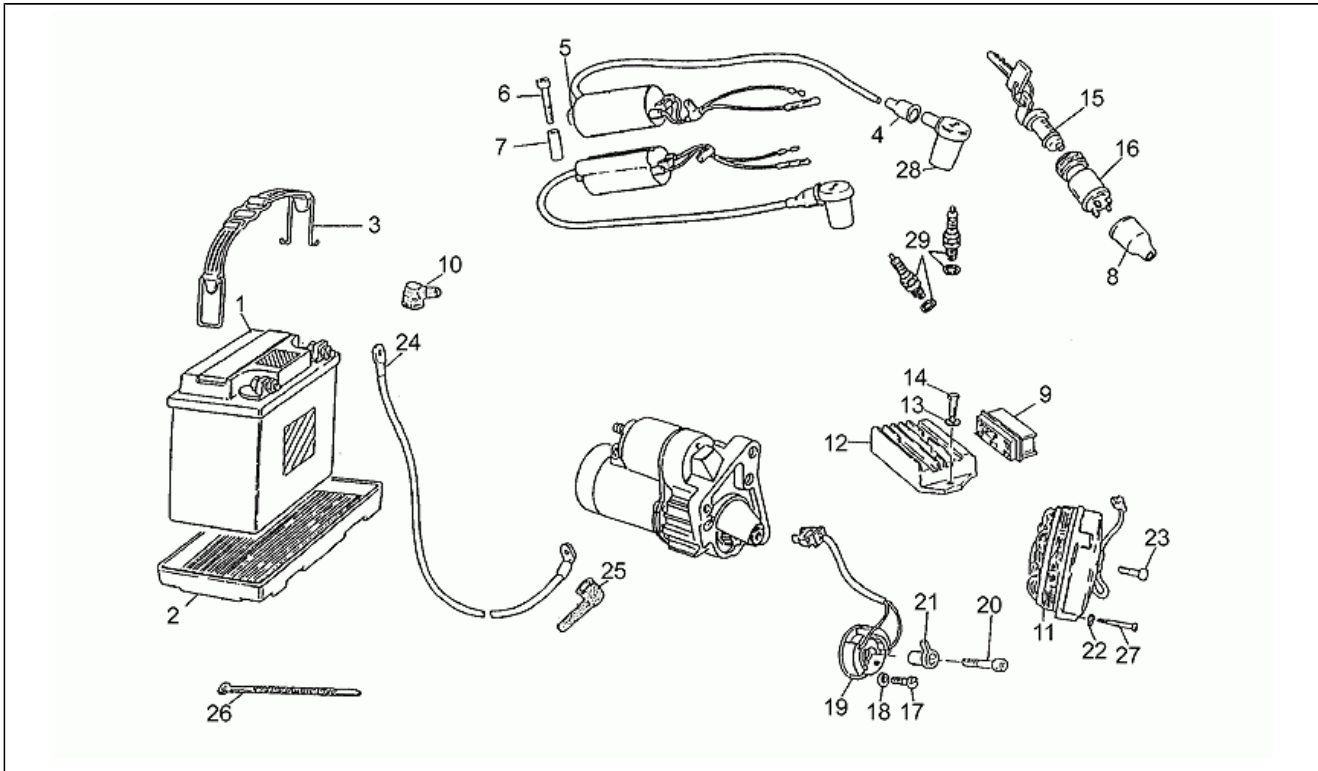
Pos.	Code	Description	Q.ty	Variants
1	GU17712400	Bosch alternator	1	Technical Specifications:Bosch[B]
2	GU14712459	Screw	1	
3	GU98620245	Hex socket screw M5X45	3	
4	GU95021105	Notched washer	3	
5	GU17719900	Repairing kit	1	
6	GU29703800	Voltage regulator BOSCH	1	Technical Specifications:Bosch[B]
7	GU92630106	Nut M6x1	2	
8	GU98054316	Hex screw M6X16	2	
9	GU95129100	Spring washer 5,3X10X0,5	4	
10	GU95100118	Washer 6,2X18X1	4	
11	GU17704300	Bosch rectifier	1	Technical Specifications:Bosch[B]
12	GU61704200	Cover	1	
13	GU98052245	Screw	4	
14	GU95100141	Washer 6,4x12x1,2	2	
15	GU91180627	Spacer	4	
16	GU92602205	Nut	4	
17	GU95000206	Washer	2	

Assembly	ENGINE
Code	34.33
Description	Saprisa alternator
Revision	1



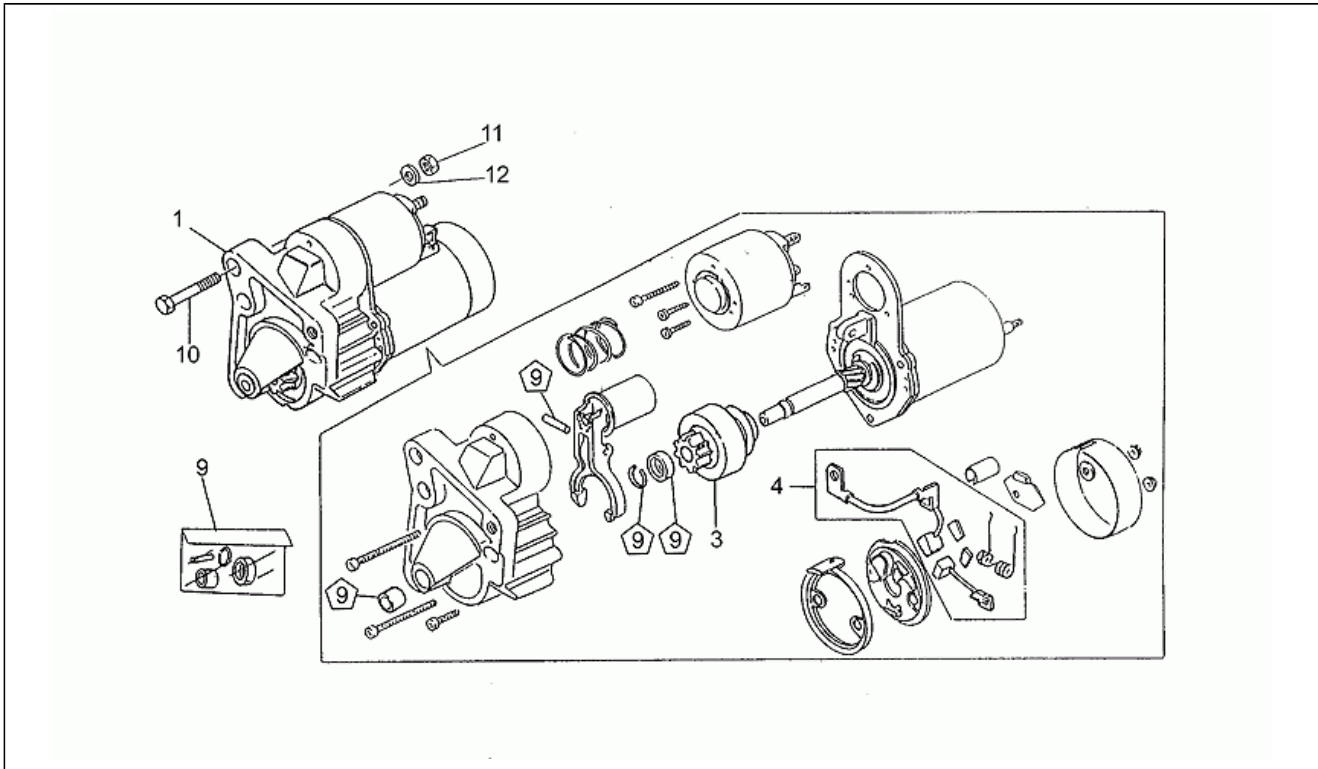
Pos.	Code	Description	Q.ty	Variants
1	GU28704545	Battery VARTA 530.30 12V-30A	1	Technical Specifications: Varta 530.30 12V-30Ah[V]
2	GU28707050	Battery holder	1	
3	GU27704815	Plate	1	
4	GU14717600	Cap	2	
5	GU31716560	HT coil	2	
6	GU98620240	Screw	4	
7	GU91180721	Spacer	4	
8	GU19741336	Ring nut	1	
9	GU28712500	Connector SAPRISA	1	Technical Specifications: Saprisa[S]
10	GU23707100	Cap	1	
11	GU28712400	Generator SAPRISA	1	Technical Specifications: Saprisa[S]
12	GU28703800	Voltage regulator SAPRISA	1	Technical Specifications: Saprisa[S]
13	GU95000206	Washer	1	
14	GU98054316	Hex screw M6X16	2	
15	GU31735630	Main switch	1	
16	GU31735330	Switch	1	
17	GU98290512	Screw	2	
18	GU95000205	Washer	2	
19	GU29722270	Phase/revolution sensor	1	
20	GU98622318	Hex socket screw M6X18	1	
21	GU27721063	Rotor	1	
22	GU95021105	Notched washer	3	
23	GU98620250	Screw	1	
24	GU19748000	Wire	2	
25	GU19707100	Cap	2	
26	GU14609650	Hose clamp 3,6x20,6	20	
27	GU28712459	Screw	3	
28	GU30717410	Sparkplug cap NGK	2	

Assembly	ENGINE
Code	34.33
Description	Saprisa alternator
Revision	1



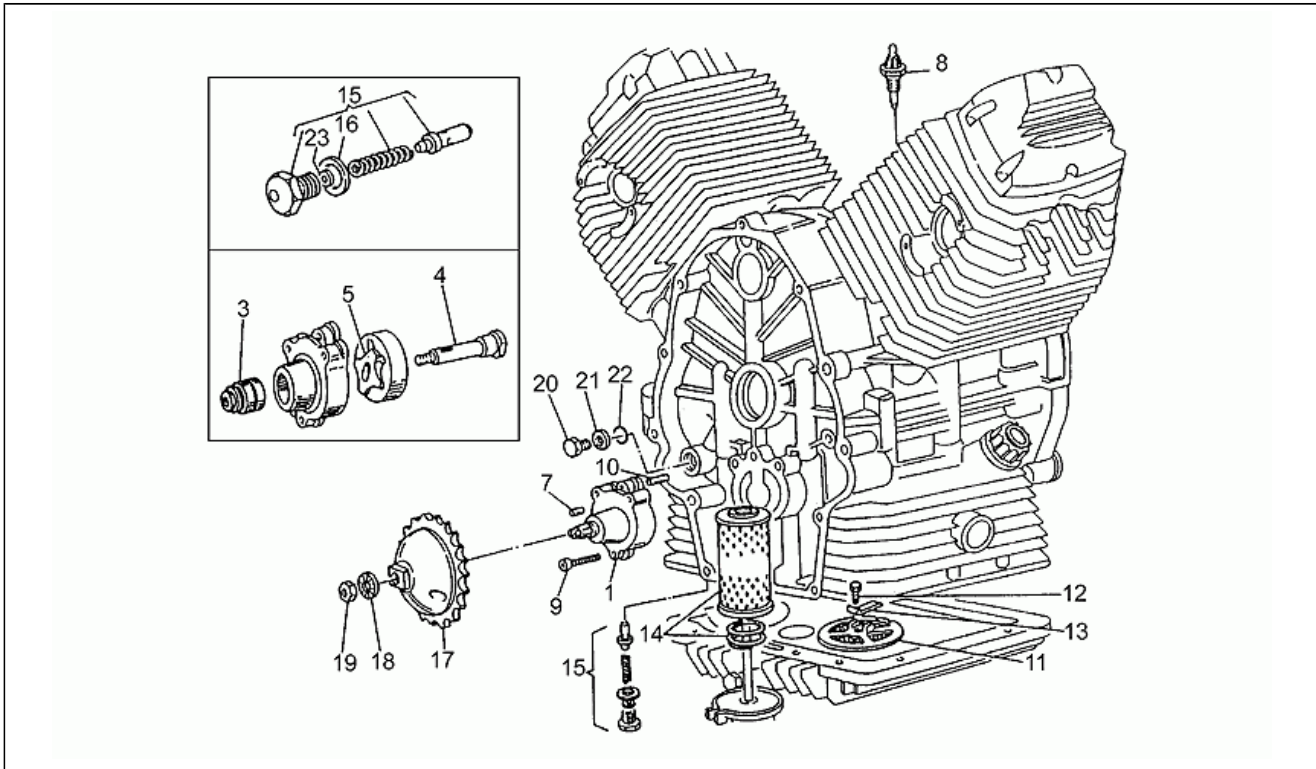
Pos.	Code	Description	Q.ty	Variants
29	GU31717060	Spark plug NGK B8ES	2	

Assembly	ENGINE
Code	34.35
Description	Starter motor
Revision	1



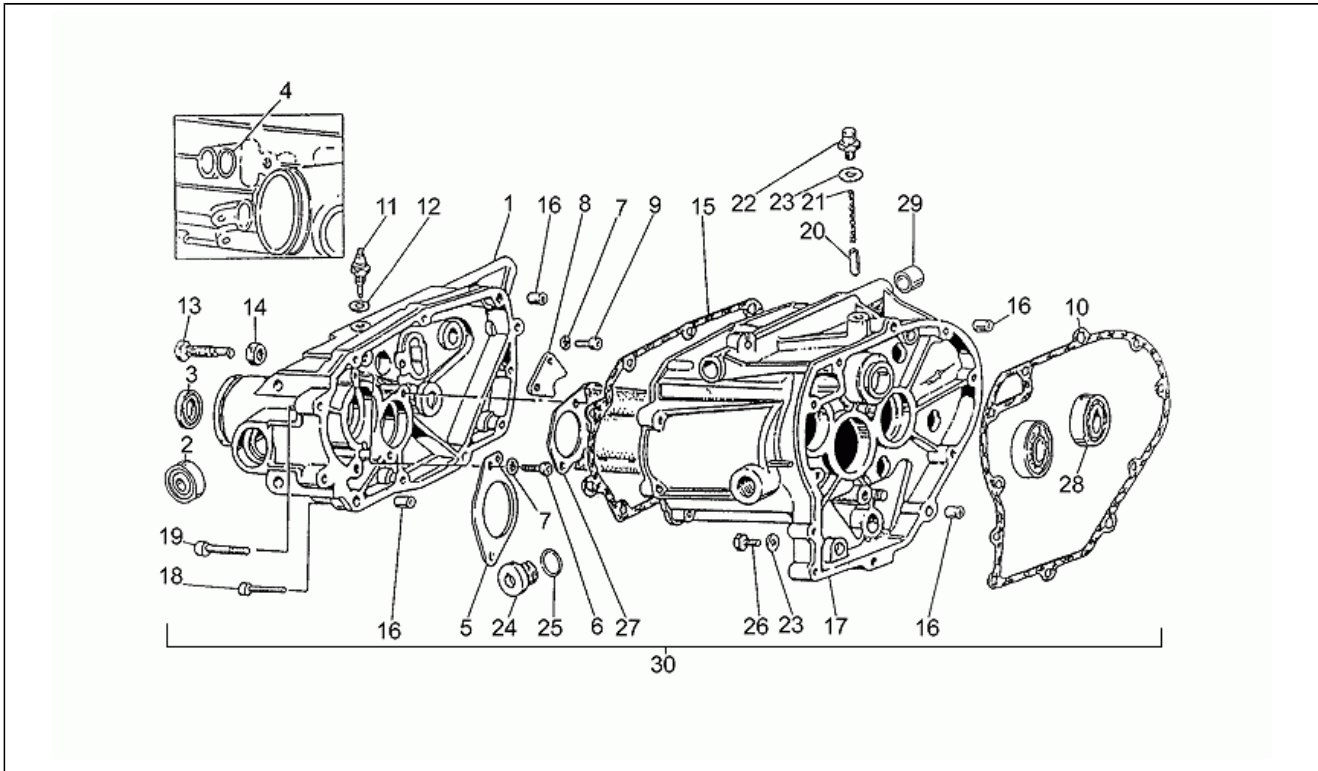
Pos.	Code	Description	Q.ty	Variants
1	GU30730711	Starter motor Valeo	1	
3	GU30530510	Pinion assy	1	
4	GU30530511	Brush revision set	1	
9	GU30530512	Starter motor revision kit	1	
10	GU98620435	Screw M8X35	2	
11	GU95004208	Washer	2	
12	GU92602208	Nut M8X1,25	2	

Assembly	ENGINE
Code	34.36
Description	Oil pump
Revision	1



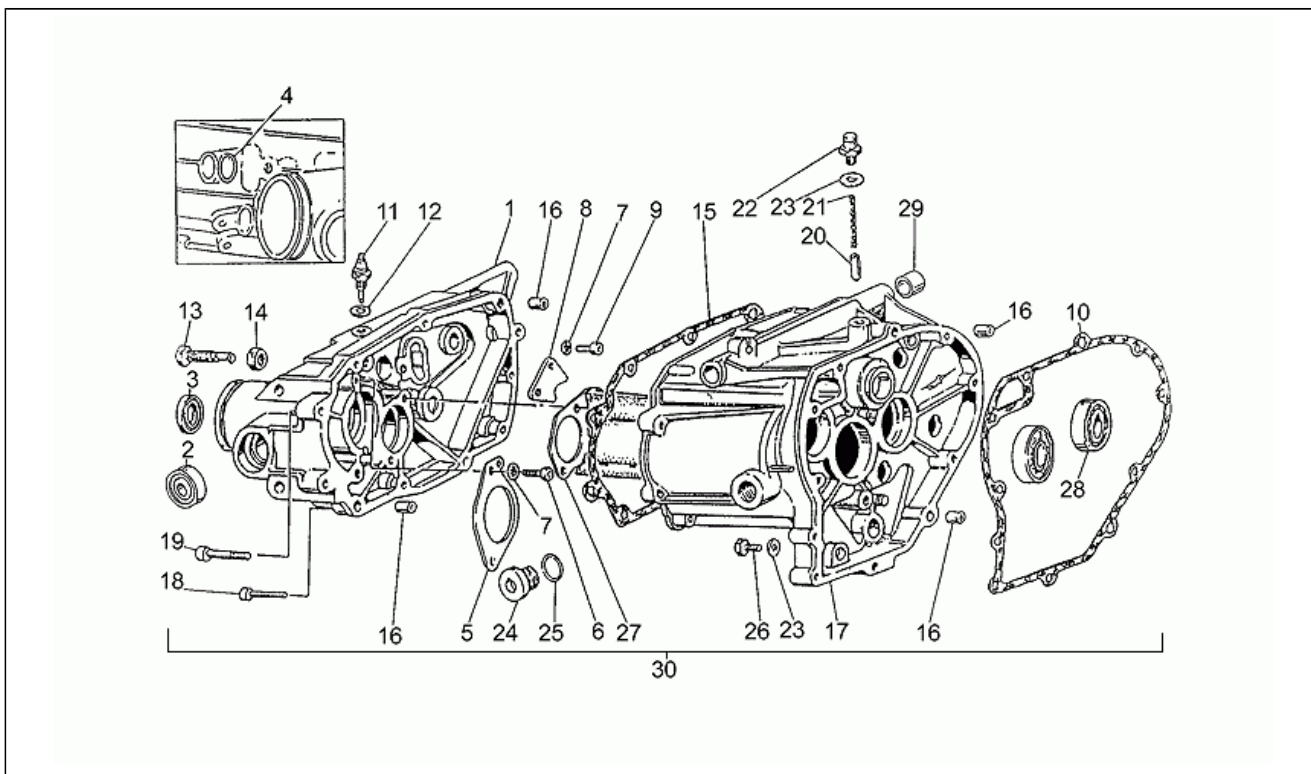
Pos.	Code	Description	Q.ty	Variants
1	GU19146420	Oil pump	1	
3	GU92252210	Roller bearing 10x22x20	1	
4	GU19147820	Oil pump shaft assy.	1	
5	GU19148420	Inner rotor	1	
7	GU92296726	Guide roller	1	
8	GU31999581	Pressure sensor	1	Technical Specifications: See spare parts comm.n.022 of 2001[02201N]
9	GU98620335	Screw M6X35	3	
10	GU19018920	Pin	2	
11	GU19152200	Oil filter	1	
12	GU98054314	Screw	1	
13	GU95187006	Plate	1	
14	GU27153085	Oil filter	1	
15	GU31158250	Oil pressure valve	1	
16	GU18144350	Washer 18,25x24x1	3	
17	GU19147721	Oil pump gear	1	
18	GU19149800	Washer 10,5x16x1	1	
19	GU92602510	Nut M10x1,25	1	
20	GU31016050	Plug	1	
21	GU18161150	Gasket 14,25	1	
22	GU90706111	O-ring	1	
23	GU95004206	Washer 6,15x11x0,8	1	

Assembly	ENGINE
Code	34.37
Description	Transmission cage
Revision	1



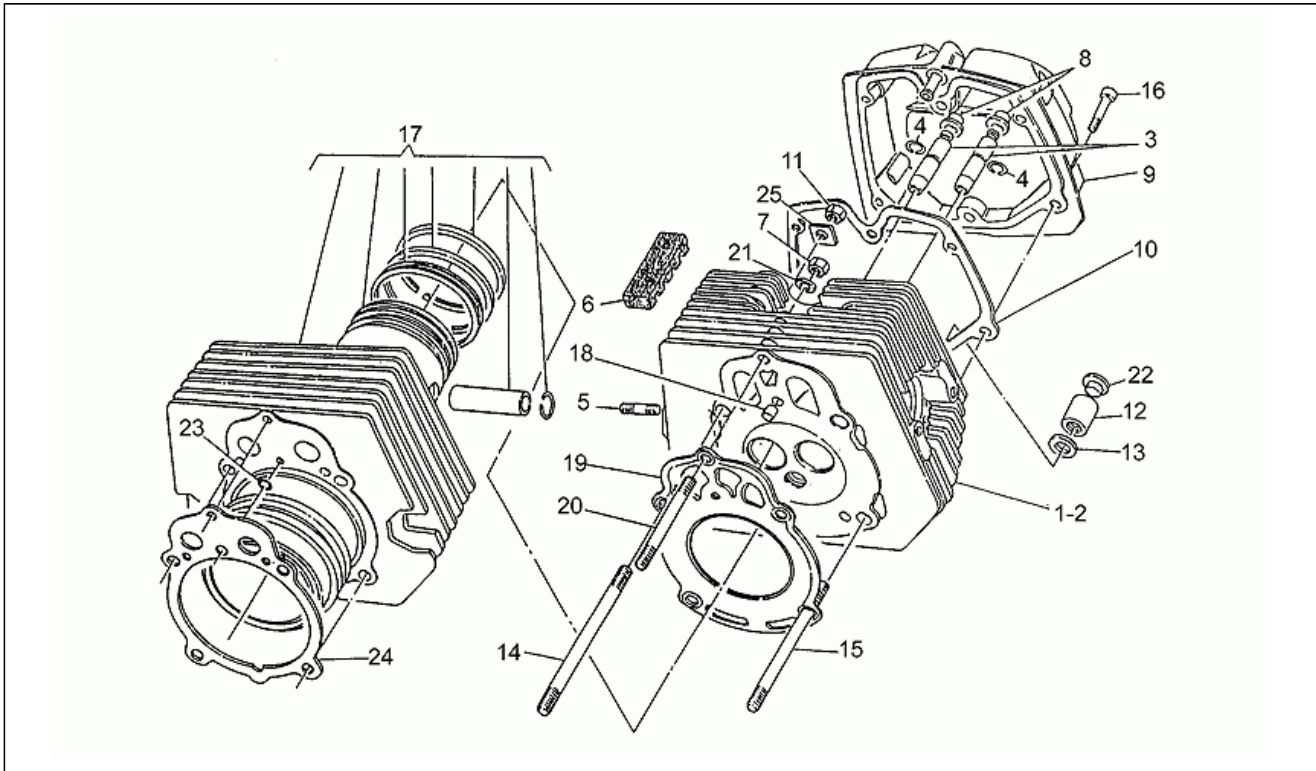
Pos.	Code	Description	Q.ty	Variants
1	GU31200831	Box cover	1	
2	GU92204215	Bearing 15x35x11	2	
3	GU90402841	Gasket ring 28x40x7	1	
4	GU90706140	O-ring 13,95x2,92	1	
5	GU23213870	Plate	1	
6	GU98622314	Screw	4	
7	GU14217901	Washer 6,4x10x0,7	6	
8	GU19235800	Plate	1	
9	GU98622314	Screw	2	
10	GU23200370	Gasket	1	
11	GU19207220	Sensor	1	
12	GU12154200	Gasket 8,25x15x1	1	
13	GU19237800	Screw M12x1,25	1	
14	GU92602512	Low nut M12x1,25	1	
15	GU19201120	Gasket	1	
16	GU19002020	Bush 6,6x9x13	4	
17	GU31200231	Transmission cage	1	
18	GU98610330	Screw M6x30	7	
19	GU98610435	Screw	4	
20	GU55234700	Pawl	1	
21	GU94321067	Lever return spring	1	
22	GU31206500	Breather plug	1	
23	GU10528900	Gasket	2	
24	GU31351200	Oil filler plug	1	
25	GU90706203	O-ring 20,24x2,62	1	
26	GU31003766	Oil unload plug M10X1	1	
27	GU19208220	Oil bulhead	1	
28	GU92201120	Ball bearing 20x42x12	1	

Assembly	ENGINE
Code	34.37
Description	Transmission cage
Revision	1



Pos.	Code	Description	Q.ty	Variants
29	GU19202320	Bush 10,25x15,7x8	1	
30	GU23991570	Transmission assy and housing	1	

Assembly	ENGINE
Code	34.38
Description	Cylinder head
Revision	1



Pos.	Code	Description	Q.ty	Variants
1	GU31022131	RH head	1	
2	GU31022231	LH head	1	
3	GU61036801	Valve guide	4	
4	GU90353009	Snap ring	4	
5	GU96506042	Stud bolt	4	
6	GU19025300	Anti-vibration plate	4	
7	GU19021920	Nut	2	
8	GU19037820	Oil seal	4	
9	GU31023531	Valves cover	2	
10	GU19023700	Gasket	2	
11	GU92603010	Nut M10X1,5	4	
12	GU31021900	Nut	4	
13	GU95129180	Washer 10,5X18X0,8	4	
14	GU96510214	Stud bolt M10x214	4	
15	GU96510158	Tie rod 162 mm	4	
16	GU98610325	Screw	12	
17	GU31060131	Cylinder with piston	2	
18	GU19021360	Bush	2	
19	GU27022060	Gasket	2	
20	GU96508145	Stud bolt M8x143	2	
21	GU61270300	Spring washer 8x15x0,3	2	
22	GU93180245	Plug	4	
23	GU61027200	O-ring	2	
24	GU27020820	Gasket	2	
25	GU19032980	Spacer	4	